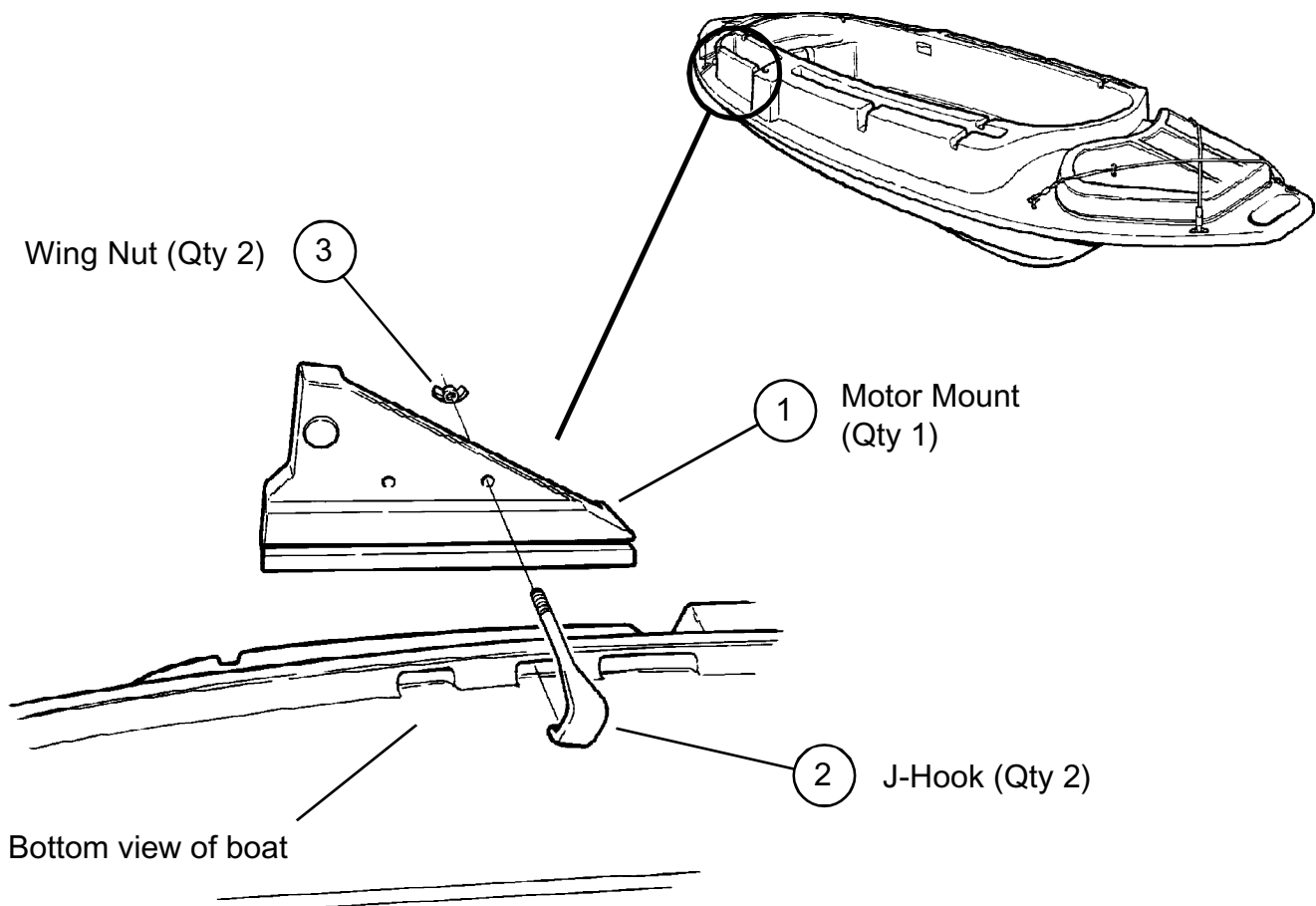




Stealth 1200 & 2000 Motor Mount Installation and Set-Up Instructions

Instructions:

1. Layout all parts.
2. Slide the motor mount (Item 1) onto the space provided on the Stealth 1200 or 2000 duck boat.
3. Insert the J-Hooks (Item 2) through the holes provided on the motor mount (Item 1). Be sure to orientate the J-Hook (Item 2) so the hook portion fits inside the slot provided on the Stealth 1200 or 2000 duck boat.
4. Tighten the wing nut (Item 3) to the J-Hook (Item 2).



Note: Designed for the use of an electric trolling motor or a small out-board on your Stealth 1200 or 2000.