



Engine Stands

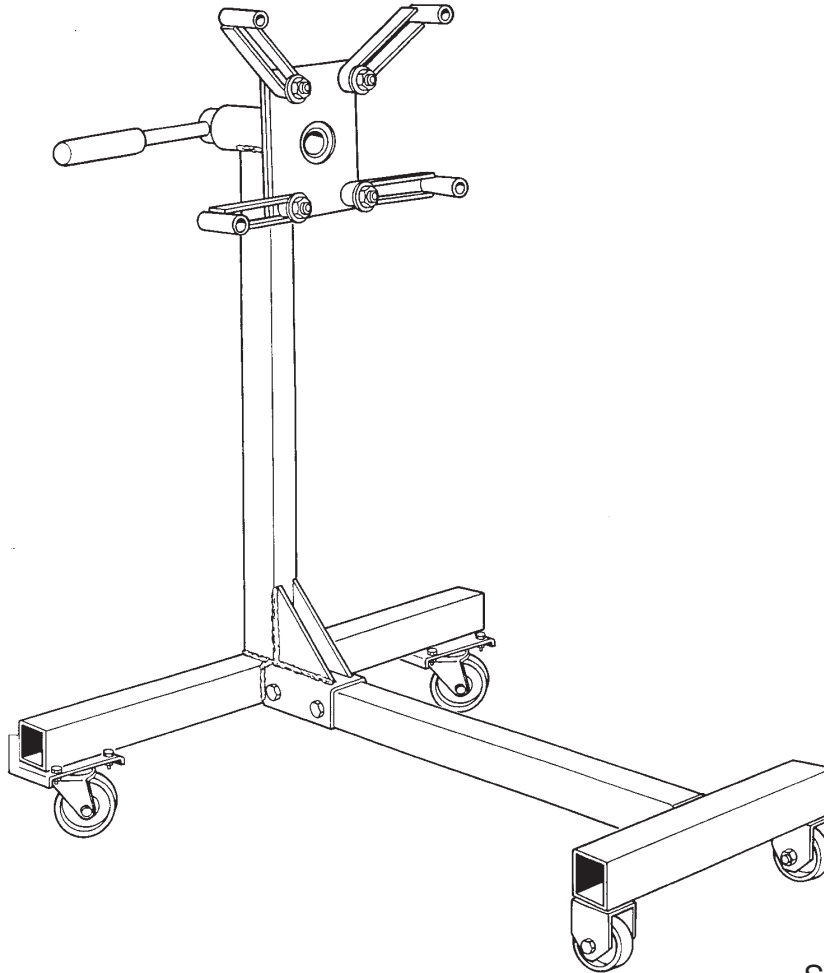
Operating Instructions & Parts Manual

Model Number
HW93778

Capacity
1250 lbs



Made in the USA



SFA Companies ©2004
10939 N. Pomona Ave. Kansas City, MO 64153
816-891-6390
customerservices@heinwerner-automotive.com

-Before using this product, read this manual and follow all its Safety Rules and Operating Instructions
HW93778-M0

TABLE OF CONTENTS

Warranty	P2
Save These Instructions	P3
Product Description	P3
Specifications	P3
Safety Instructions	P4
Assembly	P5
Operation	P5
Maintenance	P5
Replacement Parts	P6



TWO YEAR LIMITED WARRANTY

For a period of two (2) years from date of purchase, SFA Companies will repair or replace, at its option, without charge, any of its products which fails due to a defect in material or workmanship, or which fails to conform to any implied warranty not excluded hereby.

Performance of any obligation under this warranty may be obtained by returning the warranted product, freight prepaid, to SFA Companies Warranty Service Department, 10939 N. Pomona Ave., Kansas City, MO 64153.

Except where such limitations and exclusions are specifically prohibited by applicable law:

(1) THE CONSUMER'S SOLE AND EXCLUSIVE REMEDY SHALL BE THE REPAIR OR REPLACEMENT OF DEFECTIVE PRODUCTS AS DESCRIBED ABOVE,

(2) SFA COMPANIES SHALL NOT BE LIABLE FOR ANY CONSEQUENTIAL OR INCIDENTAL DAMAGE OR LOSS WHATSOEVER.

(3) THE DURATION OF ANY AND ALL EXPRESSED AND IMPLIED WARRANTIES, INCLUDING WITHOUT LIMITATION, ANY WARRANTIES OF MERCHANTABILITY AND FITNESS FOR A PARTICULAR PURPOSE, IS LIMITED TO A PERIOD OF TWO (2) YEARS FROM DATE OF PURCHASE.

Some states do not allow limitations on how long an implied warranty lasts, so the above limitation may not apply to you. Some states do not allow the exclusion or limitation of incidental or consequential damages, so the above limitation or exclusion may not apply to you. This warranty gives you specific legal rights, and you may also have other rights which vary from state to state.

SAVE THESE INSTRUCTIONS

For your safety, *read, understand, and follow* the information contained within. The owner and operator shall have an understanding of this product and safe operating procedures before attempting to use this product. Instructions and safety information shall be conveyed in the operator's native language before use of this product is authorized. Make certain that the operator thoroughly understands the inherent dangers associated with the use and misuse of the product. If any doubt exists as to the safe and proper use of this product as outlined in this factory authorized manual, remove from service immediately.

Inspect before each use. Do not use if there are broken, bent, cracked or otherwise damaged parts (including labels). If the engine stand has been or suspected to have been subjected to a shock load (a load dropped suddenly and unexpectedly upon it), discontinue use until checked out by an authorized factory service center. Owners and operators of this equipment shall be aware that the use of this equipment may require special training and knowledge. It is recommended that an annual inspection be done by qualified personnel and that any missing or damaged parts, decals, warning/safety labels or signs be replaced with factory authorized replacement parts only. Any engine stand that appears to be damaged in any way, is worn or operated abnormally shall be removed from service immediately. Labels and Operator's Manual are available from manufacturer. (see Replacemen parts, page 6).

PRODUCT DESCRIPTION

Hein-Werner Engine Stand is designed to safely support rated capacity engines. Welded steel tube construction, heavy gauge steel head plate and mounting arms along with compliance with factory standards ensure safety, strength and stability.

DO NOT USE FOR ANY PURPOSE OTHER THAN THOSE USES OUTLINED ABOVE!

SPECIFICATIONS

Model	Capacity	Head Height	Wheel Diameter	Weight
HW93778	1250 lbs	31-3/4"	2-3/4"	65 lbs.

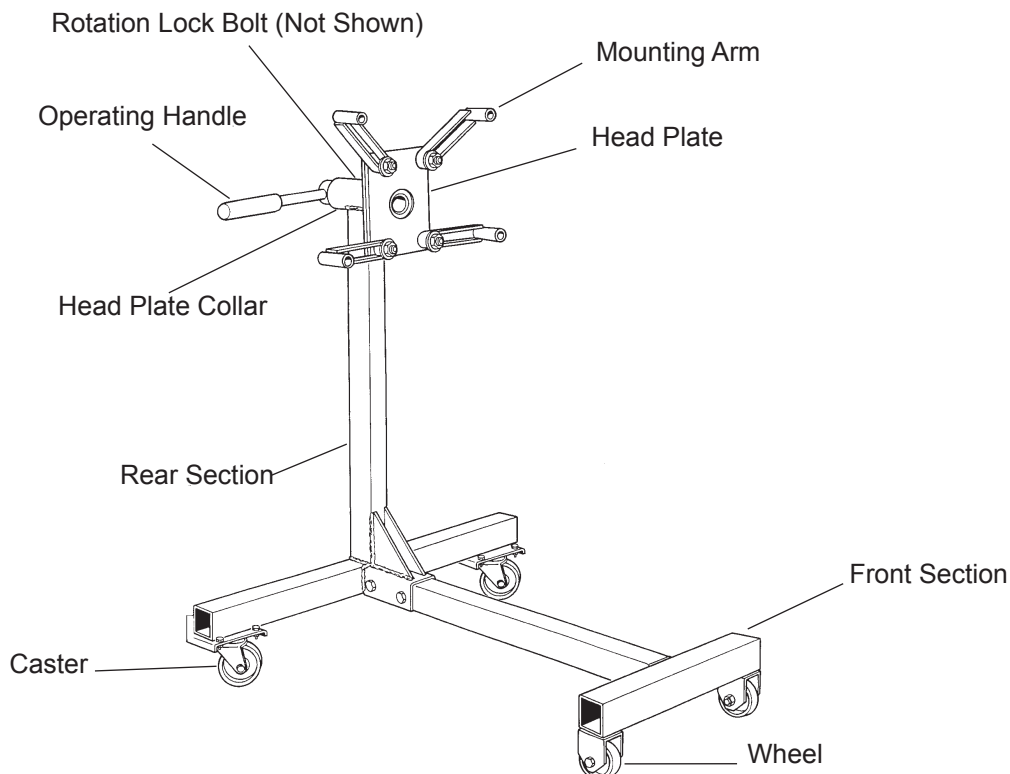


Figure 1: Hein-Werner Engine Stand Components

SAFETY INSTRUCTIONS

BEFORE USE

1. Inspect engine stand before each use. Do not use if bent, broken or cracked components are noted. Ensure that casters / wheels and head plate rotate freely. Check for and tighten any loose assemblies.
2. Verify that the product and the application are compatible, if in doubt call Hein-Werner Technical Service (816) 891-6390.
3. Before using this product, read the operator's manual completely and familiarize yourself thoroughly with the product, its components and recognize the potential hazards associated with its use.

WARNING

- Study, understand, and follow all instructions provided with and on this device before operating this device.
- Do not exceed rated capacity.
- Use the device only on a hard, level surface.
- Use only hardened, appropriate sized bolts to secure engine to engine stand.
- Center the engine on the head plate and ensure attaching hardware is tightly fastened. Off centered loading may cause the engine to rotate unexpectedly and cause the loaded stand to tip over.
- Do not modify this device.
- Keep hands, feet and all other body parts away from loaded engine stand at all time.
- Do not use adapters or accessories that are not provided initially.
- Lock the head plate rotating mechanism before beginning engine service. Unlock rotating mechanism slowly and carefully.
- Do not use the device for any purpose other than that for which it is intended.
- Failure to heed these markings may result in personal injury and/or property damage.

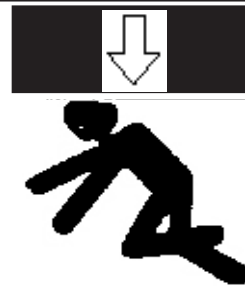
! Safety Messages !

Be sure all tools and personnel are clear before lowering load. Only attachments and/or adapters supplied by the manufacturer shall be used.

ADVERTENCIA

- Leer, comprender, y seguir las instrucciones antes de utilizar el aparato.
- El manual de instrucciones y la información de seguridad deben estar comunicado en lengua del operador antes del uso.
- No seguir estas indicaciones puede causar daños personales o materiales.

WARNING



To avoid crushing and related injuries:
NEVER put any portion of your body under engine when it is supported by the engine stand.

ASSEMBLY (See Figure 2)

Important: Reference Numbers are for assembly purposes only. See replacement parts illustration for ordering replacement parts.

1. Attach two wheels (Ref. # 1) to the front section (Ref. # 14) with 3/8"x2-2/4" bolts (Ref. # 2) and 3/8" nuts (Ref. # 3).
2. Attach two casters (Ref. # 7) to the rear section (Ref. # 15) with 1/4"x1/2" bolts (Ref. # 8) and 1/4" nuts (Ref. # 6).
3. Attach the front section (Ref. # 14) and rear section (Ref. # 15) with 1/2"x3-1/2" bolts (Ref. # 4) and 1/2" nuts (Ref. # 5).
4. Attach four mounting arms (Ref. # 12) to head plate (Ref. # 9) with 1/2"x2-1/4" bolts (Ref. # 11), washers (Ref. # 10) and nuts (Ref. # 13).

Note: All bolts are rated Grade 5.

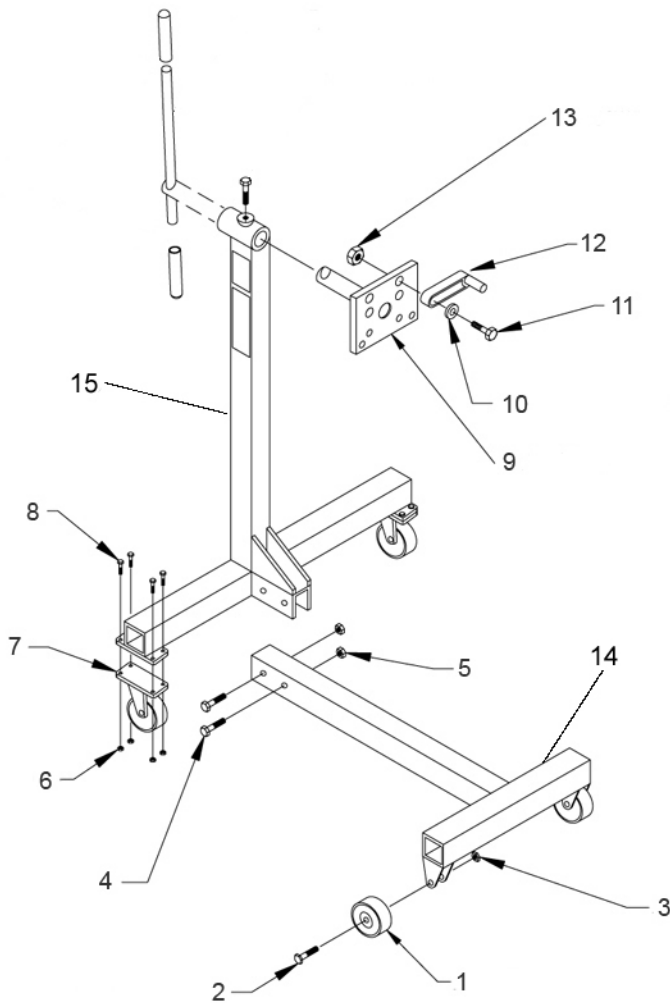



Figure 2. Assembly illustration

OPERATION

1. Ensure application is compatible with product.
2. Align engine with engine stand, then adjust mounting arms to match bell housing mounting bolt holes. **Rotation lock must be secure before applying load.**
3. Carefully secure engine so that load is centered on stand. Secure with suitable high strength stud bolts and flat washers. **Ensure** threads are compatible with your engine. Use flat washer on both sides of head plate.
4. To rotate engine, loosen rotation lock bolt carefully. Use operating handle to rotate, then secure with rotation lock bolt.
5. Check to ensure engine stand is secure before working on or around engine stand.

 **WARNING**

- Do not move loaded stand off hard smooth, level surface !
- **Never** work under loaded engine stand.

MAINTENANCE

Periodically inspect engine stand. Ensure all parts move freely. Apply very light coating of grease to head plate collar. If rust appears, sand affected area and cover with suitable utility paint.

REPLACEMENT PARTS

Available Parts: Please refer to the Parts drawing when ordering parts. Not all components of the stand are replacement items, but are illustrated as convenient reference of location and position in the assembly sequence. When ordering parts, give Model number, serial number and description below. Call or write for current pricing: Phone:(816)891-6390 or contact Hein-Werner Customer Support, customerservices@heinwerner-automotive.com or 10939 N. Pomona Ave. Kansas City, MO 64153.

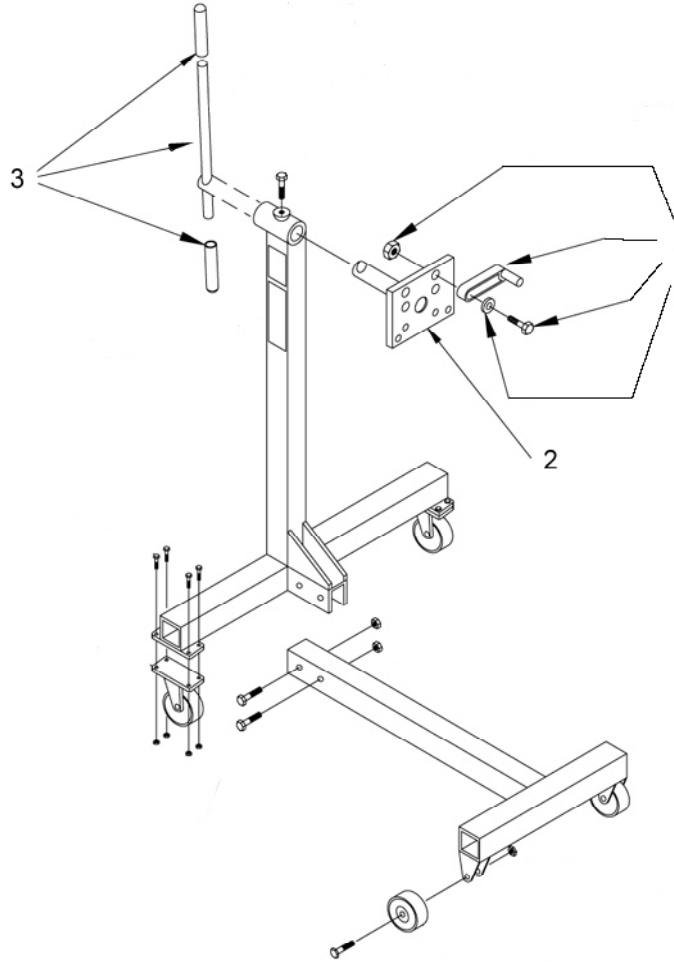


Figure 3. Replacement Parts Illustration

Item	Part No.	Quantity	Description
1	248754	4	Mounting Arm Kit
2	248762	1	Head Plate
3	248755	1	Handle Kit

