

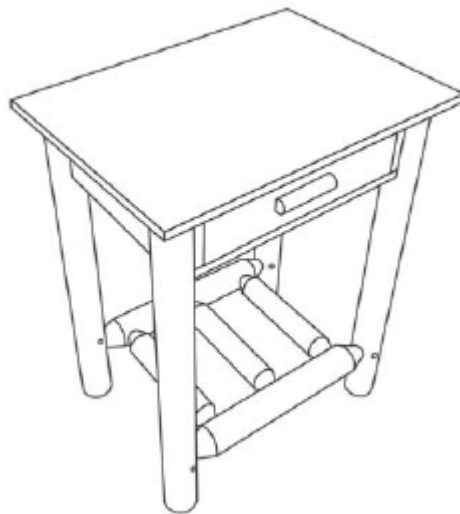


CASTLECREEK®

Congratulations on your CASTLECREEK® purchase.

We're proud to help you furnish and enhance the place you call home.
Whether indoors or outside, CASTLECREEK® is the perfect choice for
comfortable living at an exceptional value.

Item #675420 CASTLECREEK® Log End Table



For assistance with your product, please contact the Sportsman's Guide customer service at 1-800-888-3006 Mon.-Fri. 7:00am to 9:00pm, Sat.-Sun. 8:00am to 8:00pm CST or go to sportsmansguide.com/customer-service/contact-us

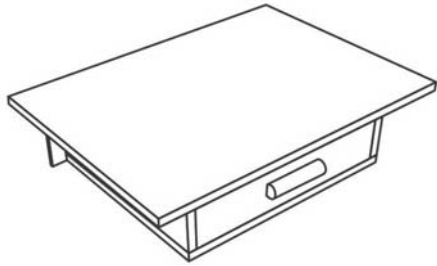


Log End Table Assembly Instructions

PARTS LIST

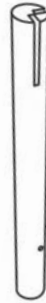
A.) Table Top

1pc



B.) Back Leg
Left & Right

2pcs



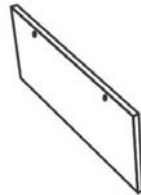
C.) Front Leg
Left & Right

2pcs



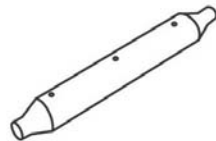
D.) Side Panel

2pcs



E.) Long Support Bar

2pcs



F.) Short Support Bar

3pcs



G.) Screw

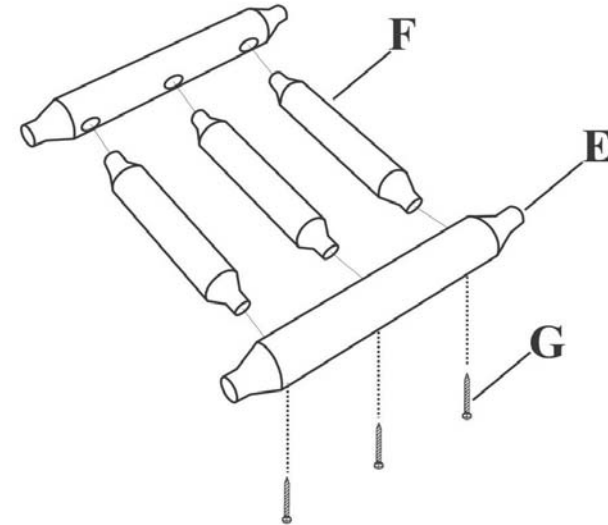
28pcs



3X30mm

STEP ONE

Attach the three Short Support Bars (F) into the Long Support Bars (E) and secure both sides in place using Six Screws (G).



ADDITIONAL DETAILS / WARNINGS:

▲ **WARNING: CHOKING HAZARD-** Contains small parts- keep parts and packaging away from children and pets.

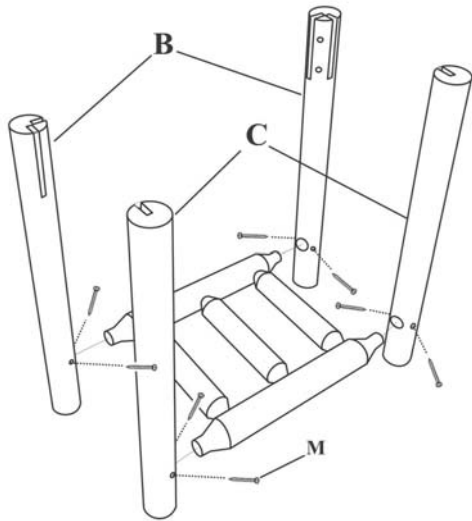
▲ **WARNING:** Do not sit or stand on table.

- Read and understand all warnings, cautions, assembly, installation and use instructions prior to assembling, installing or using this product. Failure to follow all warnings, cautions and instructions may result in serious injury or damage to personal property.
- Confirm all parts are present before assembly. If any part is missing, cracked or damaged, please contact Sportsman's Guide customer service before assembly.
- Assemble product on a soft surface (like the cardboard box) to protect from scratching or damaging the item and other surfaces
- Tools required (not included): Phillips screwdriver
- At least two people are recommended for safe assembly and installation of this product.
- Once assembled, make sure the product is placed on a firm, level surface.
- NEVER exceed the weight limit of 180 pounds (80kgs).
- To avoid injury, periodically check all screws for tightness during usage and check hardware for signs of wear and possibly metal fatigue that may require repair or replacement.
- Solid wood such as this has knots and cracking which are normal and should be considered an enhancement to the natural beauty of this product.

Log End Table Assembly Instructions

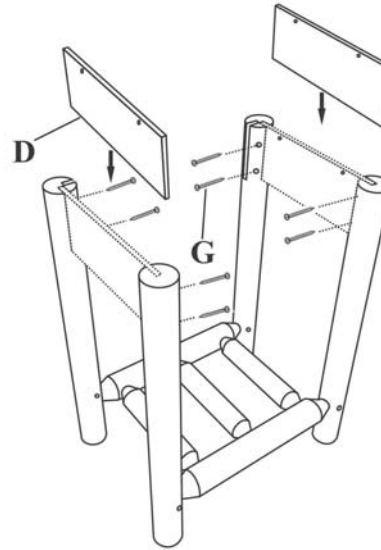
STEP TWO

Attach the Long Support Bars (E) to the Back Legs (B) and the Front Legs (C) and secure in place using eight Screws (G), two screws for each leg.



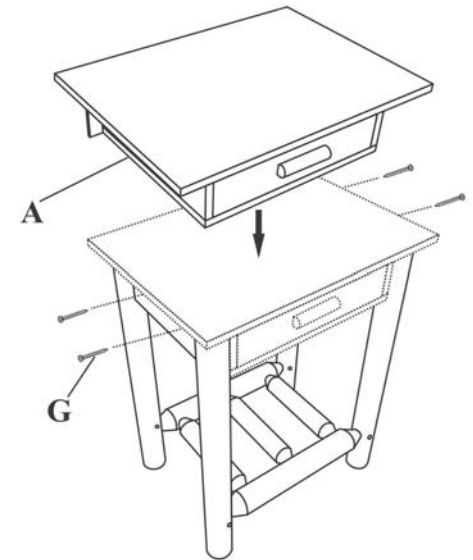
STEP THREE

Attach the Side Panels (D) to the Legs (B & C) using eight Screws (G), two screws for each leg.



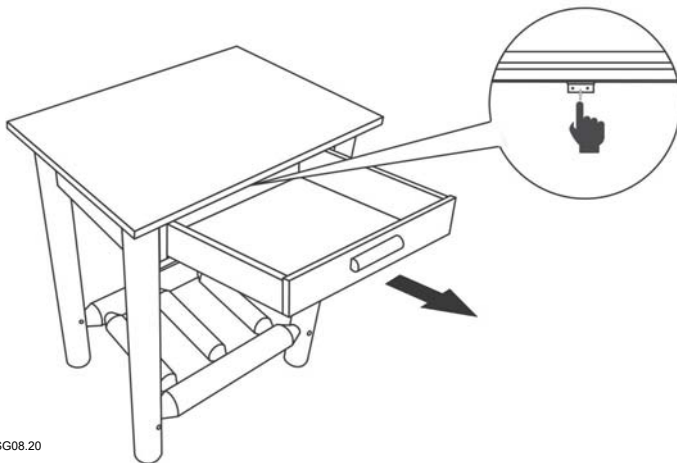
STEP FOUR

Place the Table Top (A) on top of the Legs. Secure the Table Top (A) to the Side Panels (D) using four Screws (G), two screws for each side.



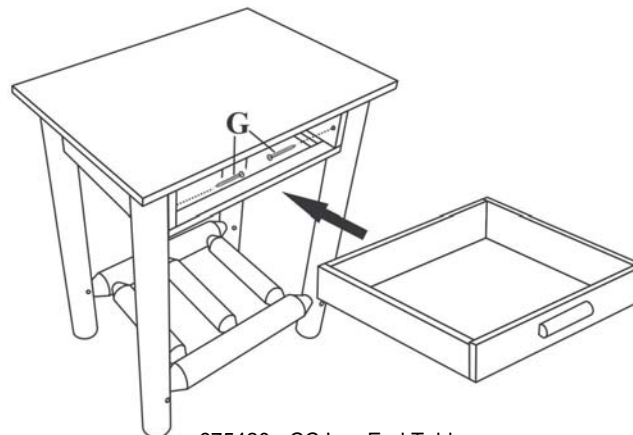
STEP FIVE

Remove Drawer from Table Top (A). When pulling out the drawer, lift the drawer up slightly in order to avoid the drawer stopper at the back.



STEP SIX

Secure the Table Top (A) to the Front Legs (C) using two Screws (G), one screw for each side. Slide the Drawer back into place.



STEP SEVEN

Ensure all screws are fully tightened. Assembly complete.

