



# CASTLECREEK®

Congratulations on your CASTLECREEK® purchase.

We're proud to help you furnish and enhance the place you call home. Whether indoors or outside, CASTLECREEK® is the perfect choice for comfortable living at an exceptional value.

**Item #675421 CASTLECREEK® Log Coffee Table**



For assistance with your product, please contact the Sportsman's Guide customer service at 1-800-888-3006 Mon.-Fri. 7:00am to 9:00pm, Sat.-Sun. 8:00am to 8:00pm CST or go to [sportsmansguide.com/customer-service/contact-us](https://sportsmansguide.com/customer-service/contact-us)



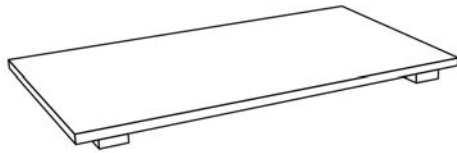
# Log Coffee Table Assembly Instructions

## PARTS LIST

A) Legs 4pcs

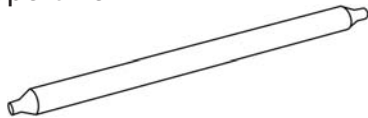


B) Table Top 1pc



1pc

C) Long Support Bar 2pcs



2pcs

D) Short Support Bar 6pcs



E) Screw 24pcs



3X30mm

## ADDITIONAL DETAILS / WARNINGS:

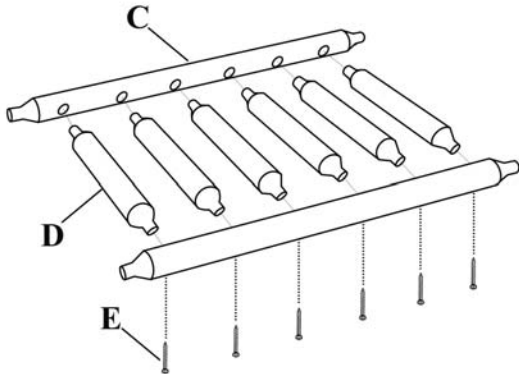
**▲WARNING: CHOKING HAZARD-** Contains small parts- keep parts and packaging away from children and pets.

**▲WARNING:** Do not sit or stand on table.

- Read and understand all warnings, cautions, assembly, installation and use instructions prior to assembling, installing or using this product. Failure to follow all warnings, cautions and instructions may result in serious injury or damage to personal property.
- Confirm all parts are present before assembly. If any part is missing, cracked or damaged, please contact Sportsman's Guide customer service before assembly.
- Assemble product on a soft surface (like the cardboard box) to protect from scratching or damaging the item and other surfaces
- Tools required (not included): Phillips screwdriver
- At least two people are recommended for safe assembly and installation of this product.
- Once assembled, make sure the product is placed on a firm, level surface.
- NEVER exceed the weight limit of 400 pounds (181.81kgs).
- To avoid injury, periodically check all screws for tightness during usage and check hardware for signs of wear and possibly metal fatigue that may require repair or replacement.
- Solid wood such as this has knots and cracking which are normal and should be considered an enhancement to the natural beauty of this product.

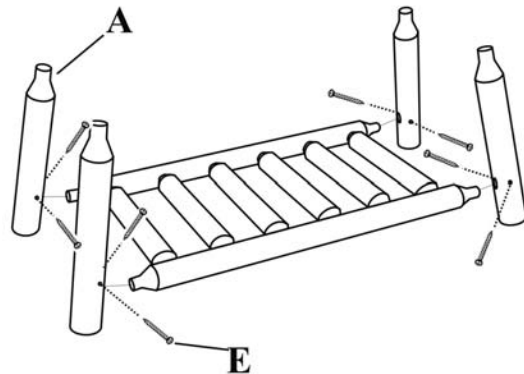
### STEP ONE

Insert Short Support Bar (D) into Long Support Bar (C). Secure using Twelve Screws (E).



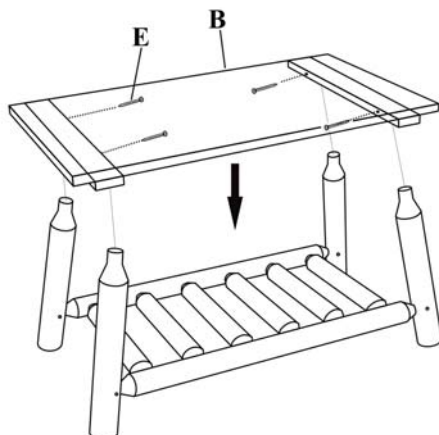
### STEP TWO

Insert Long Support Bar (C) into Leg (A) as shown. Secure using Eight Screws (E) Two for each leg.



### STEP THREE

Place Table Top (B) onto Leg (A) and secure in place using Four Screws (E) One for each leg.



### STEP FOUR

Ensure all screws are fully tightened. Assembly complete.

