



Congratulations on your Guide Gear® purchase.

Enjoy your new Guide Gear® item with confidence, knowing it has been designed and built to deliver dependable quality and performance at an exceptional value.

Item #707007 Guide Gear® Tree Mounted Deer Hoist



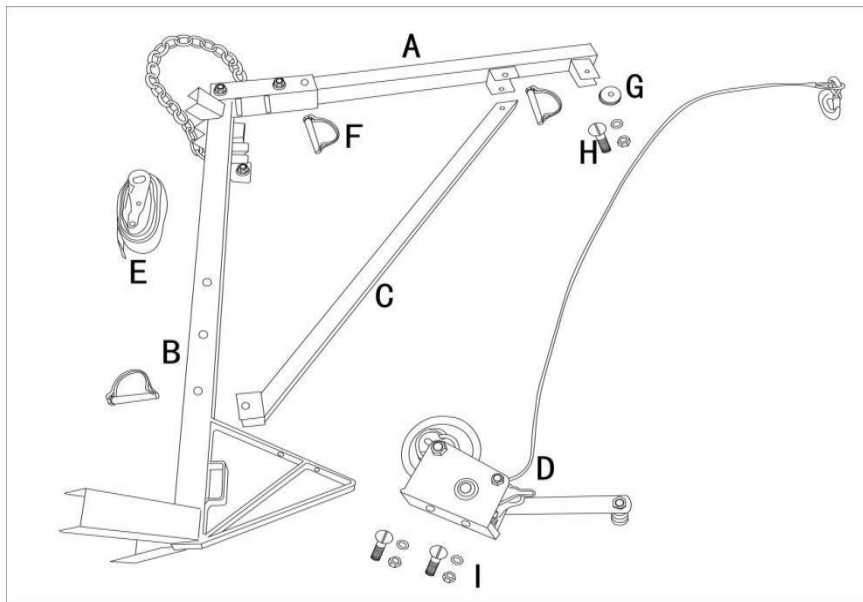
For assistance with your product, please contact Sportsman's Guide customer service at 1-800-888-3006 Mon.-Fri. 7:00am to 9:00pm, Sat.-Sun. 8:00am to 8:00pm CST or go to sportsmansguide.com/customerservice/contactus



Parts List

Part	Description	Qty
A	Arm Support	1
B	Center Support(with Chain)	1
C	Diagonal Support	1
D	Winch	1
E	Belt Stretcher	1

Part	Description	Qty
F	D-Shape Pin Clip	3
G	Pulley	1
H	M8 Bolt, Washer, Locknut	1 set
I	M10 Bolt, Washer, Locknut	2 sets



CAUTIONS AND WARNINGS

Confirm all parts are present before assembly. If any part is missing, cracked or damaged, please contact Sportsman’s Guide customer service before assembly

Read and understand all warnings, cautions, assembly, installation and use instructions prior to assembling, installing or using this product. Failure to follow all warnings, cautions and instructions may result in serious injury or damage to personal property.

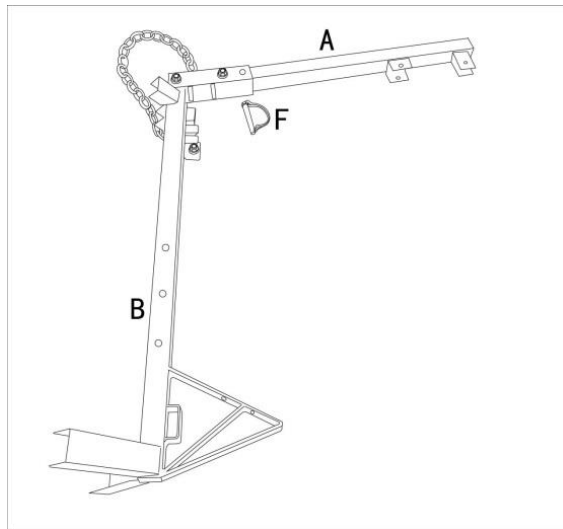
The warnings, cautions, and instructions in this manual cannot cover all possible conditions or situations that could occur. Exercise common sense and caution when using this product. Always be aware of the environment and ensure that the product is used in a safe and responsible manner.

- Do not exceed the working load limit of 300 pounds (136 kg). The manual crank is rated to 660 pounds (299 kg). Be aware of dynamic loading! Sudden load movement may briefly create excess load causing product failure.
- Do not install in a location that could pose a safety hazard.
- NEVER allow other persons to assemble, install or use this product until they have read this manual and have developed a thorough understanding of how the product works.
- NEVER attempt to modify this product or subject it to an installation or use for which it was not designed. Doing so may result in damage and/or serious injury.
- NEVER attempt to assemble, install, load or unload the rack while you are tired or under the influence of drugs or alcohol.
- ALWAYS wear appropriate safety gear such as ANSI-approved safety goggles and heavy-duty work gloves when assembling, installing, loading, unloading or removing/storing the rack.

Assembly Instructions

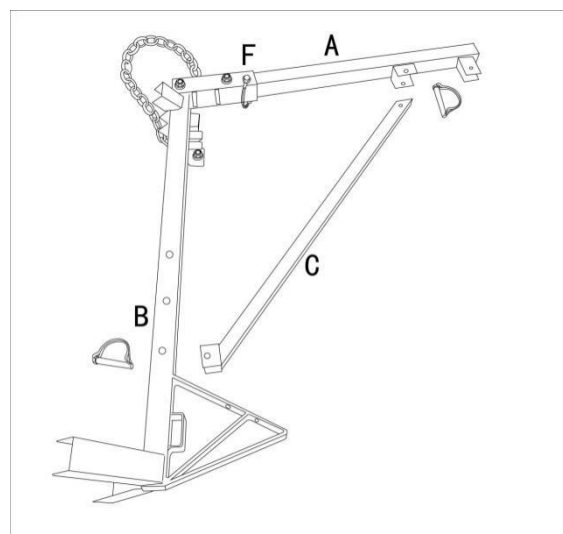
Step 1

Pull out the Arm Support (A), place it perpendicular to the Center Support (B), and then insert one D-Shape Pin Clip (F).



Step 2

Connect the Arm Support (A) and the Center Support (B) with the Diagonal Support (C), use two D-Shape Pin Clips (F). There are 3 holes and it could be inserted in any of them according to actual situation.

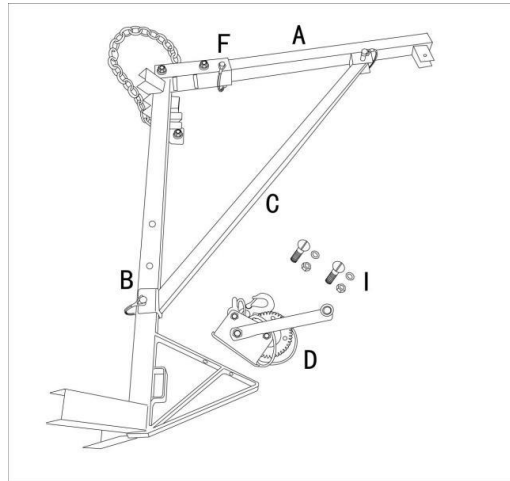


Step 3

Install the Winch (D) to the bottom of the Center Support (B), use the two bolt sets (I).

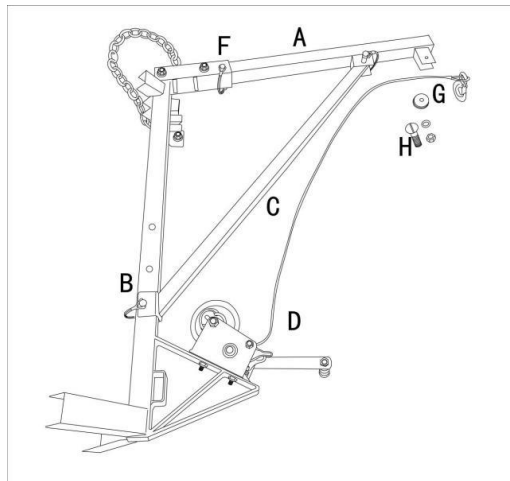
Assembly Tip:

Unwind all of the winch cable from the spool when installing the winch. This will provide additional clearance for your hand and/or wrench making installation easier.



Step 4

Pull out some of the cable from the spool and let it pass through the groove of the Arm Support (A). Then assemble the Pulley (G) with one bolt set (H).



Step 5

When you install the deer hoist to the tree, you should tie it with the chain and the Belt Stretcher (E). Let the Belt Stretcher (E) pass through U-shape groove of the Center Support (B), then tie it in the tree. There are two grooves on the Center Support (B), upper and bottom.

