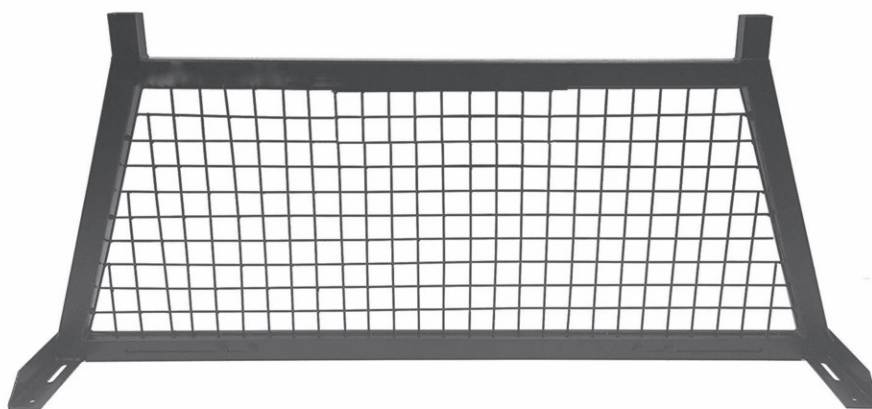




GUIDE GEAR

Congratulations on your **Guide Gear** purchase.
Take your game to the next level with field-tested **Guide Gear** products for a confident,
competitive edge that strikes the perfect balance between performance and value.

INSTRUCTIONS FOR ASSEMBLY AND USE OF ITEM# 707898 - **Guide Gear** GUIDE GEAR HEADACHE RACK



For assistance with your Guide Gear product, please contact The Sportsman's Guide customer service
at 1-800-888-5222 7:30am-6:00pm CST Mon-Fri or go to
<http://www.sportsmansguide.com/customerservice/contactus>



#ShareTheThrill

www.SportsmansGuide.com

WARNING

Read carefully and understand all **ASSEMBLY AND OPERATION INSTRUCTIONS** before operating. Failure to follow the safety rules and other basic safety precautions may result in serious personal injury.

INTENDED USE

Protect your rear window from the impact of shifting cargo. Extended vertical uprights to safely haul ladders, pipes and other long cargo.

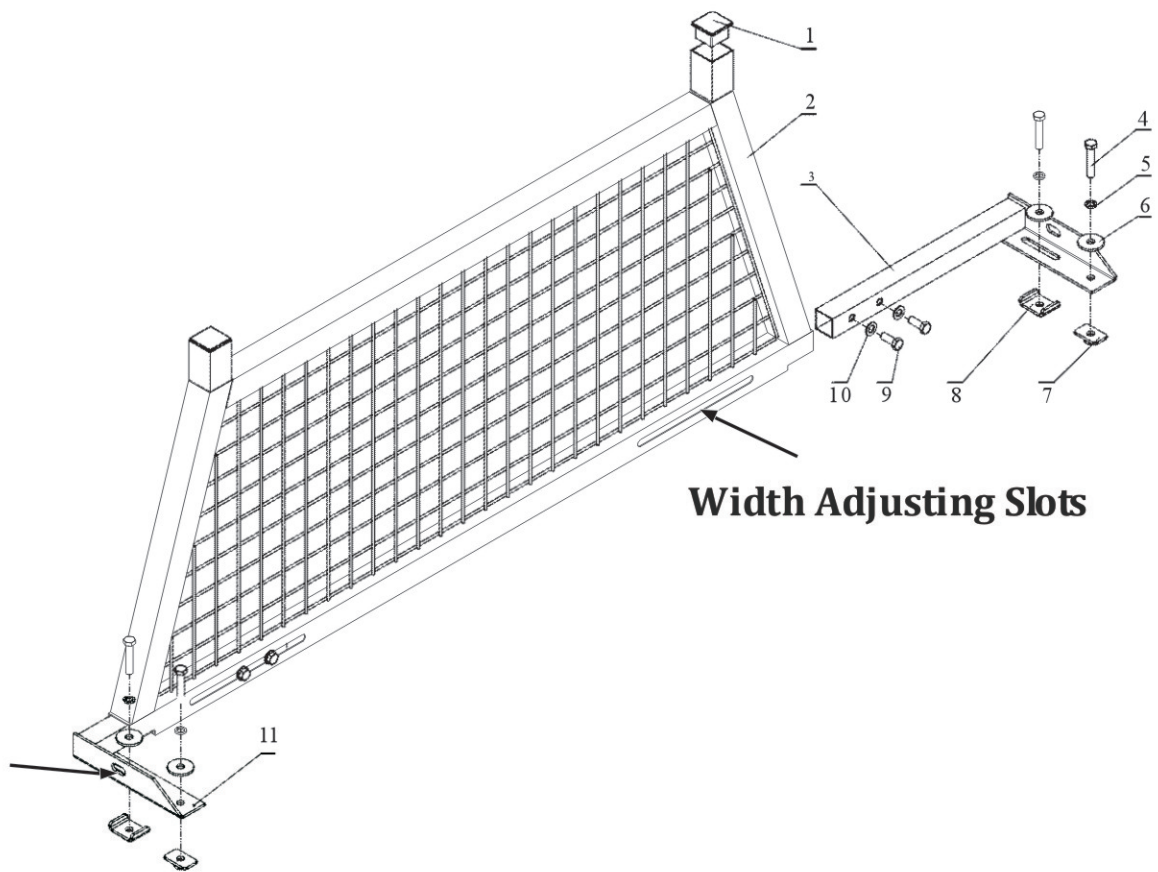
This is a two person job

If you are not a mechanical person don't attempt the installation, seek out a qualified installer.

Always use Tie Down straps to secure your load.

No weight rating. Not designed/should NOT be used to hold the weight of a load.

ASSEMBLY



Anchor Hole

Parts List

Part	Description	Quantity	Part	Description	Quantity
1	End Cap	2	7	Flat Clamp	2
2	Rack Frame	1	8	U-Clamp	2
3	Rigth side bracket	1	9	M12 x 30 flat hex bolt	4
4	M12 x 75 flat head hex bolt	4	10	M12 lock washer	4
5	M12 lock washer	4	11	Left side bracket	1
6	M12 flat washer	4			

Steps 1 and 2 do not need to be performed with headache rack on your truck. It's recommended to lay rack on tailgate, table etc. for easiest installation.

1. Lay headache rack down so width adjusting slots are facing up. Slide the mounting brackets (Part #3 and #11) into the rack frame so mounting brackets are pointing up. (Part #2) Figure 1.

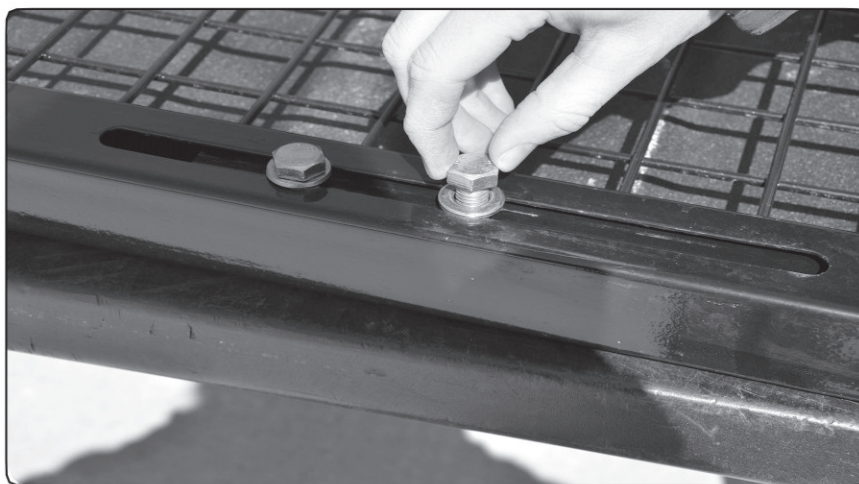
FIG 1



Slide the M12 washers (Part #10) on the M12x30 flat hex bolts (Part #9) and install bolts in the width adjusting slots (Figure 2).

Reminder: Do not completely tighten. Just snug them up at this point so mounting brackets can slide in and out. Required for next steps.

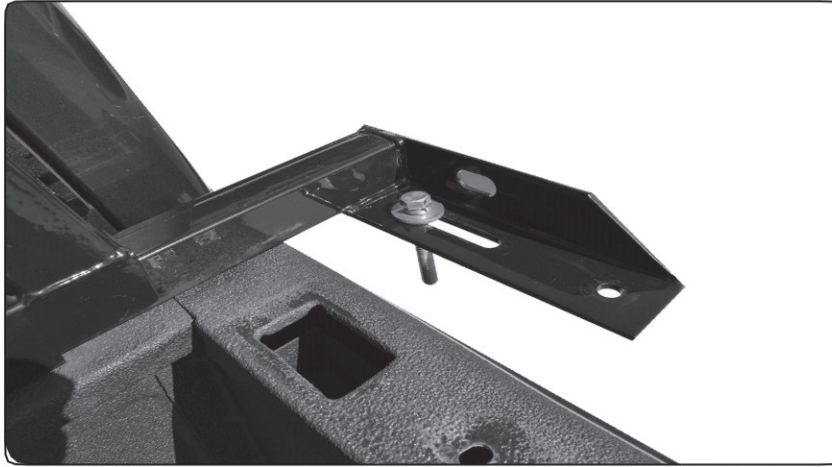
FIG 2



For the next steps, place the headache rack in position on the bed rail behind rear window of truck. For safety, its recommended to have someone hold the rack while another person performers the following steps to secure the rack to vehicle.

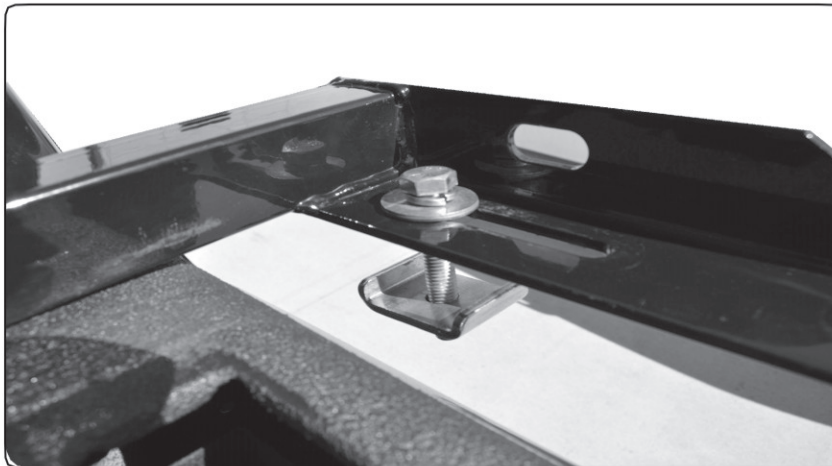
2. Make sure width adjusting slots are facing truck box.
Slide the mounting bracket out over the edge of the truck bed and insert the M12x75 flat hex bolt (Part #4) with M12 lock washer (Part #5) and M12 flat washer (Part #6) into the front hole of th mounting bracket (Part # 3) See Figure 3.

FIG 3



3. Attach the U-Clamp (Part #8) to the flat hex bolt.
(Ensure the ends of the u-clamp are facing up) (Figure 4).

FIG 4



-
- Drop the U-Clamp into the stake pocket hole, then use your finger to turn the U-Clamp crossways in the hole (Figure 5 & 6).

Reminder: Do not tighten. Just snug so U-Clamp doesn't turn, we will tighten later.

FIG 5

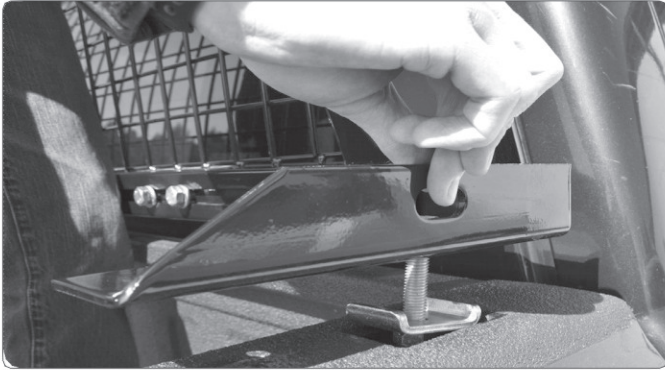


FIG 6



- Repeat steps 3 to 5 on the other side.
- Adjust headache rack so it is centered and you have the same spacing on each side.

Tighten all bolts previously installed that were just snug. This includes, 4 bolts in the width adjustment slots (2 on each side) and 2 bolts in the front of the mounting brackets (1 on each side) Figure 7.

FIG 7



IMPORTANT: The next steps require drilling. Double check the headache rack is positioned correctly before proceeding.

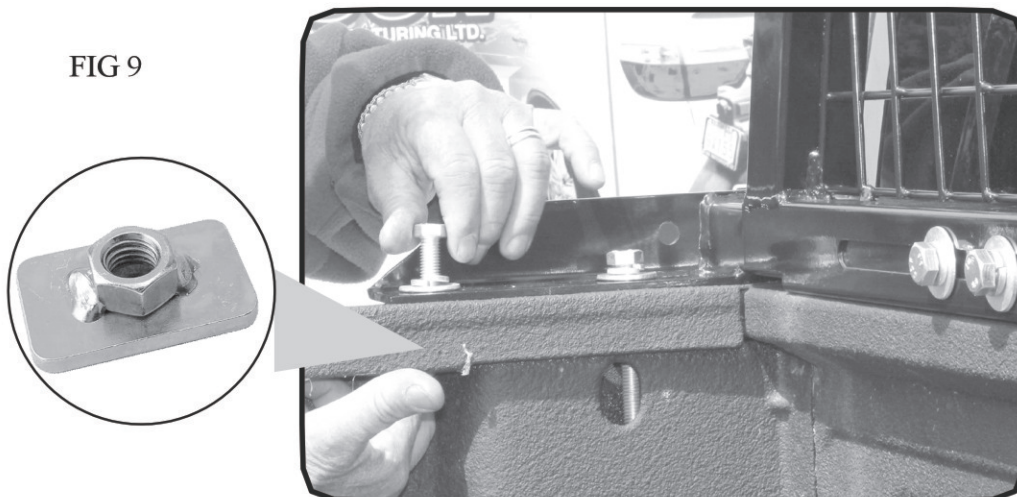
7. In the back hole of the mounting bracket, drill a ½" hole (Figure 8).

FIG 8



8. Slide the M12 lock washer (Part #5) and M12 flat washer (Part #6) over the M12x75 flat hex bolt (Part #4) and drop into the back hole of the mounting bracket (Part #3) and tighten by placing the flat bracket (Part #7) under the bed rail. See Figure 9.

FIG 9



9. Repeat steps 8 and 9 on other side.
10. Double check you've tightened all bolts. Once complete, you've successfully installed your new headache rack!

