



CASTLECREEK®

}vPœ šµo š}}v• }v Ç}µœ ^d> Z < %µœ Z •

t [œ %œ}µ š} Z o% Ç}µ (µœv]•Z v vZ v šZ %o
]v }}œ• }œ }µš•] U ^d> Z <]• šZ %œ(š Z}} (
v Æ %š}}v o À oµ X

/š u .óìõíóõ ^d> Z < KÀ œ•]ì Z} I]vP Z]O

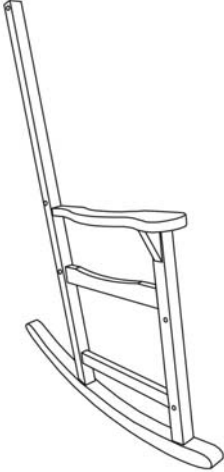
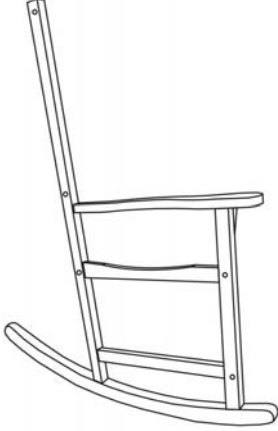
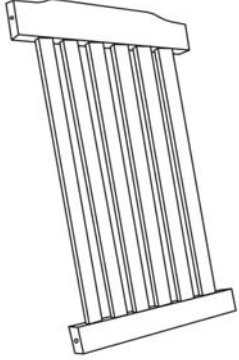
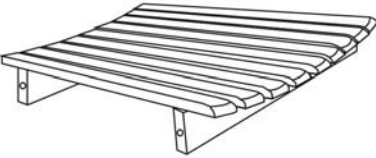
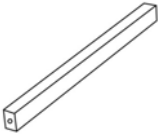


For assistance with your product, please contact the Sportsman's Guide customer service at 1 800 888 8006 Mon. - Fri. 7:00am to 9:00pm, Sat. - Sun. 8:00am to 8:00pm CST or go to sportsmansguide.com/customer-service/contact-us



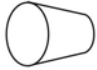


OVERSIZED ROCKER ASSEMBLY INSTRUCTIONS

PARTS LIST

| | | |
|--|---|---|
|  <p>Left Side (1) 1pc</p> |  <p>Right Side (2) 1pc</p> |  <p>Back (3) 1pc</p> |
|  <p>Seat (4) 1pc</p> |  <p>Cross Bar (5) 1pc</p> | <p>Tools Required: Hex wrench (included)</p> |

HARDWARE LIST

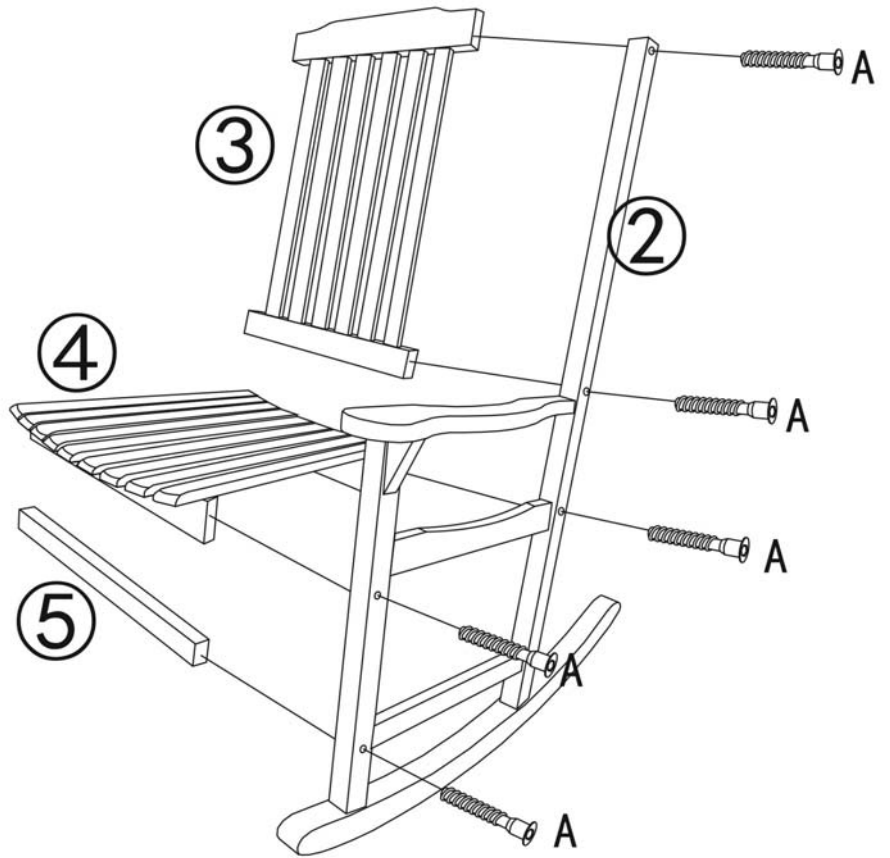
| | | |
|---|---|--|
|  <p>(M6x50mm)</p> <p>Screw (A) 10pcs</p> |  <p>Hex Wrench (B) 1pc</p> |  <p>Screw Cover (C) 10pcs</p> |
|---|---|--|

ADDITIONAL DETAILS:

- ▲ WARNING:** This package contains small parts and is a choking hazard, keep away from children and pets.
- Read and understand all warnings, cautions, assembly, installation and use instructions prior to assembling, installing or using this product. Failure to follow all warnings, cautions and instructions may result in serious injury or damage to personal property.
 - Confirm all parts are present before assembly. If any part is missing, cracked or damaged, please contact Sportsman's Guide customer service before assembly.
 - Assemble product on a soft surface (like the cardboard box) to protect from scratching or damaging the item and other surfaces.
 - At least two people are recommended for safe assembly and installation of this product.
 - Do not completely tighten screws until the rocker is fully assembled and on a level surface.
 - CAUTION: NEVER stand on this item.
 - NEVER exceed the weight limit of 400 pounds (181 kgs).

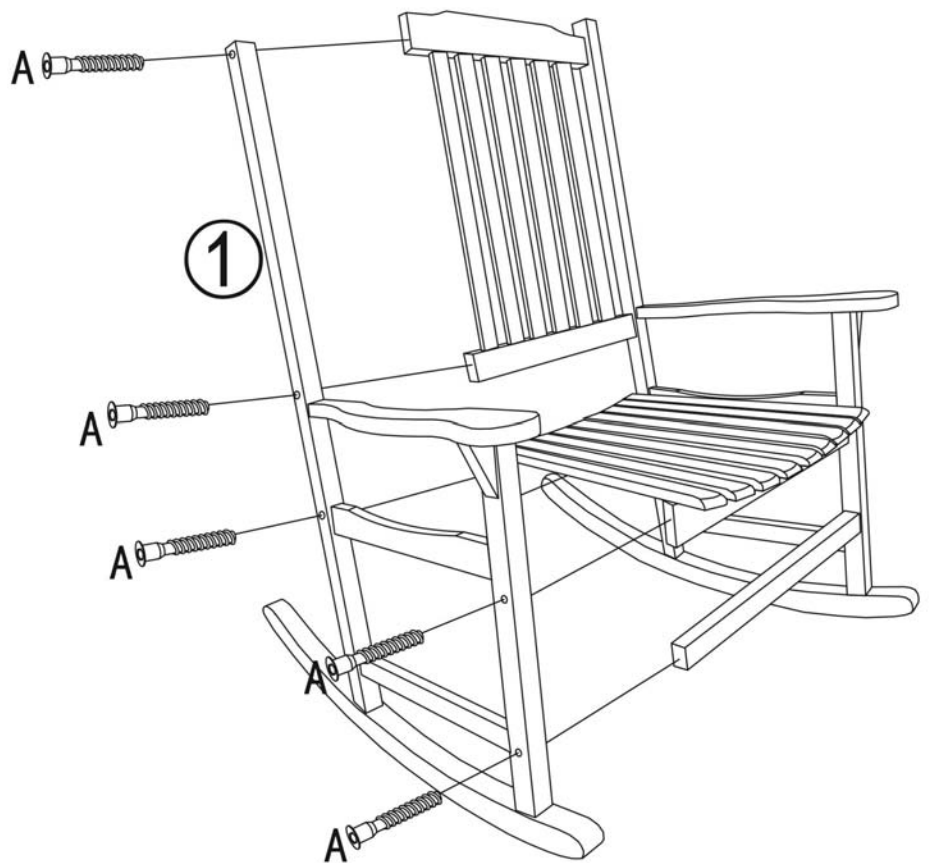
STEP 1

Attach the Right Side (2) to the Back (3), the Seat (4), and the Cross Bar (5) using five Screws (A) and Hex Wrench (B).



STEP 2

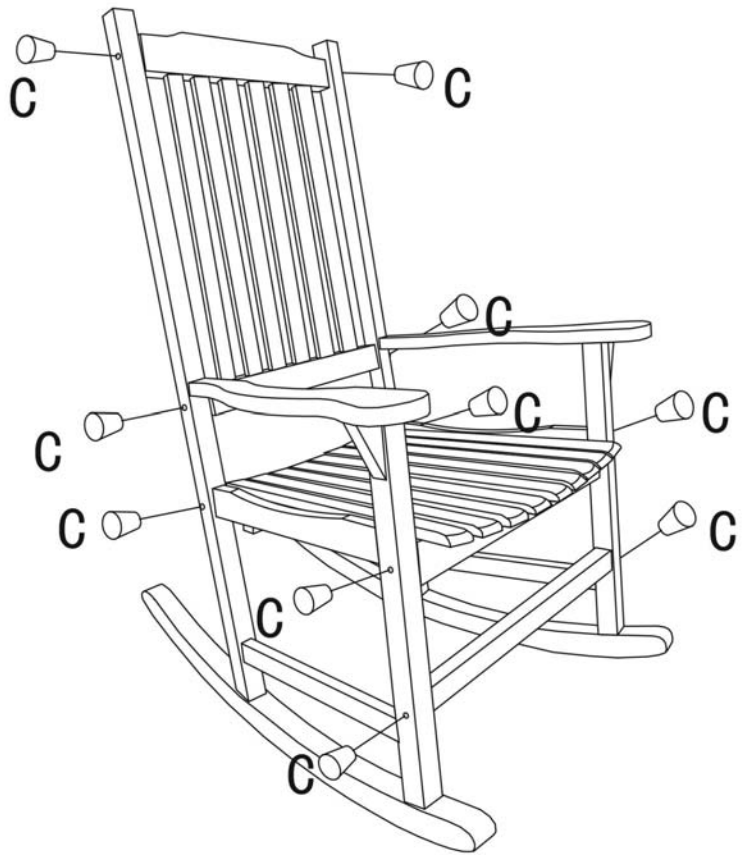
Attach the Left Side (1) to the Back (3), the Seat (4), and the Cross Bar (5) using five Screws (A) and Hex Wrench (B).



STEP 3

Make sure that all Screws (A) are secure and tight.

Cover all of the Screws (A) with the Screw Covers (C). Please note that the screw covers can be hard to remove once in place.



STEP 4

Assembly complete.



Made in China