



CRIMSON TRACE HEADQUARTERS • 9780 SW FREEMAN DRIVE, WILSONVILLE, OR 97070
TELEPHONE: 800-442-2406 • FAX: 503-783-5334 • CRIMSONTRACE.COM

USER GUIDE

CTS-1400



PLEASE READ THE ENTIRE MANUAL

FAILURE TO FOLLOW THESE INSTRUCTIONS AND PROCEDURES MAY RESULT IN INJURY OR DEATH.

Always follow firearm safety rules as outlined by the firearms manufacturer.

Keep this and all firearm related products locked and secured from children or other unauthorized users.

CONTENTS

QUICK START	3
KEY FEATURES	3
FEATURES AND SPECIFICATIONS	4
WINDAGE & ELEVATION ADJUSTMENTS	5
MAINTENANCE AND TROUBLESHOOTING	6
LENS CARE	6
FREE BATTERIES FOR LIFE	6
WARRANTY	6
BATTERY WARNINGS	7



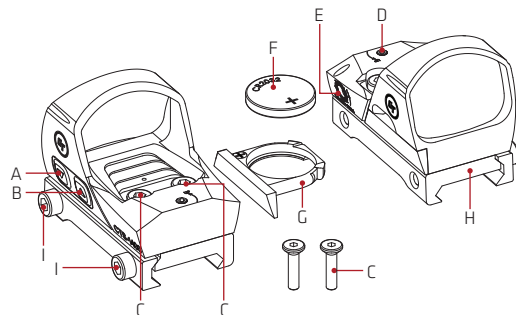
WARNING: UNLOAD YOUR FIREARM BEFORE INSTALLING OR REMOVING YOUR CRIMSON TRACE SIGHT. FIRST REMOVE THE MAGAZINE FROM THE FIREARM. SECOND, VISUALLY AND MANUALLY CHECK AND CLEAR THE CHAMBER AND ACTION OF AMMUNITION.

QUICK START

- **Power On:** With a battery installed, press and hold either brightness adjustment button ▲▼ to power up the sight to the last used level of intensity.
- **Power Off:** To power down the system, press and hold either ▲▼ button for four seconds.

KEY FEATURES

- A. POWER ON/OFF, BRIGHTNESS (-)
- B. POWER ON/OFF, BRIGHTNESS (+)
- C. 2X M4 MOUNTING SCREWS
- D. ELEVATION ADJUSTER (1 MOA/CLICK)
- E. WINDAGE ADJUSTER (1 MOA/CLICK)
- F. CR2032 BATTERY
- G. BATTERY DRAWER
- H. M1913 RAIL MOUNT
- I. 2X MOUNTING CLAMP SCREWS



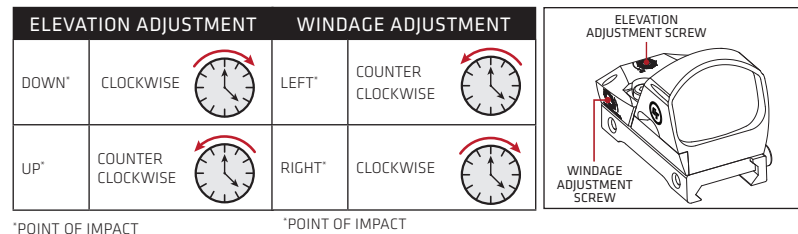
FEATURES AND SPECIFICATIONS

- **Brightness:** The CTS-1400 is user adjustable for ten levels of brightness. Pressing the ▲ button will increase the brightness a single step until the maximum level has been achieved. Pressing the ▼ button will decrease reticle brightness until the minimum level has been reached.
- **Auto Off:** The CTS-1400 is equipped with intelligent power management to prolong battery life when not in use. When no motion is detected for a period greater than 3 minutes the sight will enter sleep mode. After a period of four hours the sight will turn off for storage. Pressing either the ▲▼ buttons will re-activate the sight to the previously used brightness level.
- **Aiming Dot:** The CTS-1400 possesses a 3.25 MOA round dot for precise aiming. This reticle is approximately 1.7" in diameter at 50 yards. Depending on brightness and ambient conditions the size may appear to change.
- **Battery:** The CTS-1400 is powered by a single CR2032 battery. This battery will provide most users with years of maintenance free service. Depending on reticle intensity, ambient conditions and use, battery life may vary.
- **M1913 Mount:** The CTS-1400 includes a low profile M1913 compatible mount intended for use on rifles and shotguns. Using the included screws, attach the sight to the mount prior to installing it on the host firearm. Next, loosen the two mounting clamp screws, open the clamp and place the sight assembly onto the firearm. Using the included hex wrench, tighten the two screws to secure the sight in place. For additional mounting options and accessories, visit CrimsonTrace.com.

⚠ WARNING: CONFIRM THAT YOUR SIGHT IS SECURELY AND PROPERLY INSTALLED. AN IMPROPERLY INSTALLED SIGHT COULD BECOME DETACHED DURING RECOIL CAUSING INJURY.

WINDAGE AND ELEVATION ADJUSTMENTS

The CTS-1400 is fully adjustable for both windage and elevation. The adjustment screws are located on the top and right side of the sight body. Each click represents 1 MOA (Approx. 0.5" at 50 yards) of adjustment.



*POINT OF IMPACT

*POINT OF IMPACT

NOTE: Adjustments to both the windage and elevation knobs reference your Point of Impact (POI). Should your impacts be below your point of aim, dial UP to reach zero.

MAINTENANCE AND TROUBLESHOOTING

The CTS-1400 requires minimal maintenance, the included CR2032 battery should provide years of service for most users. Should your sight fail to power up, remove and replace the battery with a new CR2032 from a reputable manufacturer. Should problems persist please contact Crimson Trace® customer service for additional technical support at 800-442-2406 or email customer@crimsontrace.com.

LENS CARE

The external optics of the CTS-1400 are generally resistant to scratches and common firearm cleaning chemicals. Periodically the optics may become dirty from normal use, Crimson Trace recommends using the included microfiber cloth for cleaning.

PRODUCT INSTALLATION AND MOUNTING

The CTS-1400 is intended for use on rifles and shotguns equipped with M1913 Picatinny rails. Loosen the mount clamp with the included allen wrench and place the sight on the rail and verify that the sight is properly seated on the rail and tighten the two mounting clamp screws to 25 in-pounds.

FREE BATTERIES FOR LIFE

Your product qualifies for Free Batteries For Life! Product registration required and other terms and conditions apply. For information please visit www.crimsontrace.com/support/free_batteries_for_life, or call 800-442-2406.

3 YEAR WARRANTY


Crimson Trace Corporation (CTC) warrants that this product will be free from defects in materials and workmanship for a period of three years from the date of original retail purchase. Terms and conditions apply. For complete warranty information please visit www.crimsontrace.com/support/warranty, or contact CTC at the address / telephone number listed on the back of this User Guide.

For warranty service call Customer Service at 800-442-2406, or email customer@crimsontrace.com for a Return Authorization Number (RMA).

BATTERY WARNINGS

 **WARNING: IF A BATTERY OPERATED ACCESSORY OR ATTACHMENT (I.E. LASER, OPTICAL SIGHT OR FLASH LIGHT, ETC.) IS SUPPLIED OR USED WITH THIS FIREARM, THE FOLLOWING WARNINGS AND INSTRUCTIONS MUST BE ADHERED TO.**

 **WARNING: KEEP BATTERIES AWAY FROM CHILDREN. THERE IS A CHEMICAL BURN HAZARD ASSOCIATED WITH BATTERIES.**

 **WARNING: IF A NEW OR USED LITHIUM BUTTON/COIN CELL BATTERY IS SWALLOWED OR ENTERS THE BODY, IT CAN CAUSE SEVERE INTERNAL BURNS AND CAN LEAD TO DEATH IN AS LITTLE AS 2 HOURS. ALWAYS COMPLETELY SECURE THE BATTERY COMPARTMENT. IF THE BATTERY COMPARTMENT DOES NOT CLOSE SECURELY, STOP USING THE PRODUCT, REMOVE THE BATTERIES, AND KEEP IT AWAY FROM CHILDREN. IF YOU THINK BATTERIES MIGHT HAVE BEEN SWALLOWED OR PLACED INSIDE ANY PART OF THE BODY, SEEK IMMEDIATE MEDICAL ATTENTION.**

- When used correctly, batteries provide a safe and dependable source of portable power. However, misuse or abuse may result in leakage, fire, or explosion.
- Batteries can explode or leak and cause burns if installed backwards, disassembled, charged, or exposed to water, fire or high temperature.
- Always take care to install your batteries correctly observing the "+" and "-" marks on the battery and the device.
- Always replace the whole set of batteries at one time, taking care not to mix old and new batteries, or batteries of different types.
- Store unused batteries in their original packaging and away from metal objects that may short-circuit them.
- Remove discharged batteries from equipment promptly to avoid possible damage from leakage.
- Never dispose of batteries in fire. (Failure to observe this precaution may result in an explosion.)
- The batteries are supplied in a charged state, and are not designed for recharging. Recharging may cause leakage, fire, or explosion.
- The batteries should be disposed of properly, including keeping them away from children.
- Dispose of used batteries immediately. Even used batteries can cause injury.