



Congratulations on your Bolderton™ purchase.  
You demand the best in outdoor gear, and Bolderton delivers with professional-grade quality and performance that keep you at the top of your game.

**Item # 711791 (Model # GGBC29): Bolderton™ XL Swivel Tower Blind Chair**



For assistance with your product, please contact Sportsman's Guide customer service at 1-800-888-3006 Mon.-Fri. 7:00am to 9:00pm, Sat.-Sun. 8:00am to 8:00pm CST or go to [sportsmansguide.com/customerservice/contactus](https://sportsmansguide.com/customerservice/contactus)



**PARTS LIST**

Description	Qty
Upper Seat Frame	1
Seat Post	1
Piston	1
Base	1
Manual	1

**HARDWARE LIST**

Description	Qty
M6x25mm Carriage Bolt	4
Washer	4
M6 Nylock Nut	4
Delta Bolt	4



FIGURE 1

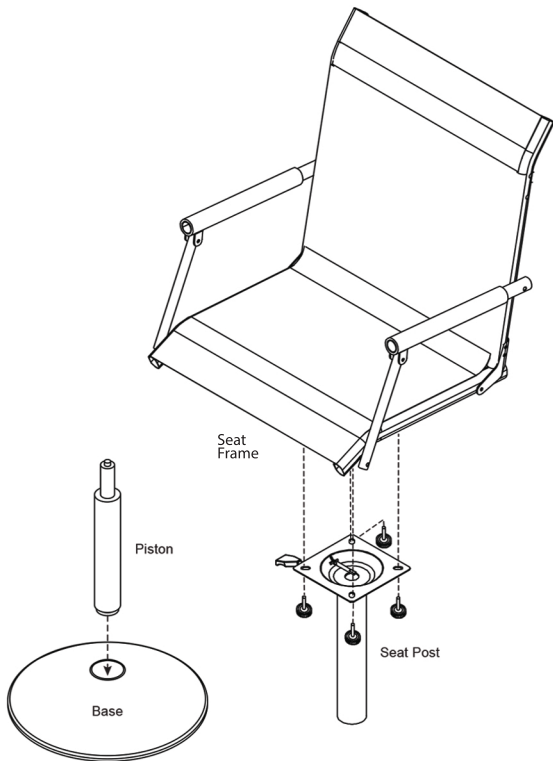
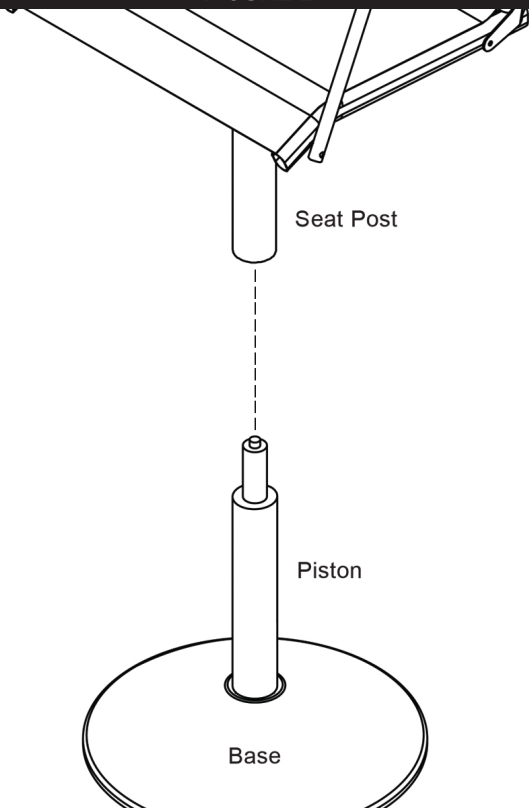


FIGURE 2



## WARNINGS AND CAUTIONS

- Read and understand all warnings, cautions, assembly and use instructions prior to assembling or using this product. Failure to follow all warnings, cautions and instructions may result in serious injury or damage to personal property.
- Confirm all parts are present before assembly. If any part is missing, cracked or damaged, please contact Sportsman's Guide customer service before assembly.
- ⚠ **WARNING:** This package contains small parts and is a choking hazard, keep away from children and pets.
- **NEVER** attempt to modify this product or subject it to an installation or use for which it was not designed. Doing so may result in damage and/or serious injury.
- Once assembled, **ALWAYS** make sure the product is placed on a firm, level surface.
- **NEVER** exceed the weight limit of 400 pounds (181 kg).
- Store in cool, dry area away from children. Not intended for use by children.
- The warnings, cautions, and instructions in this manual cannot cover all possible conditions or situations that could occur. Exercise common sense and caution when installing/using this product.

## ASSEMBLY INSTRUCTIONS

**STEP 1:** Begin by firmly sliding the piston into the base.

**STEP 2:** Then, using (4) delta bolts attach the seat post to the seat frame as shown in Figure 1.

**STEP 3:** Firmly press the seat post onto the piston and secure with pressure.

SG05.20