



Hideout XT

Installation and Set-Up Instructions

Hideout XT

Fits One Man Hideout Sled Only

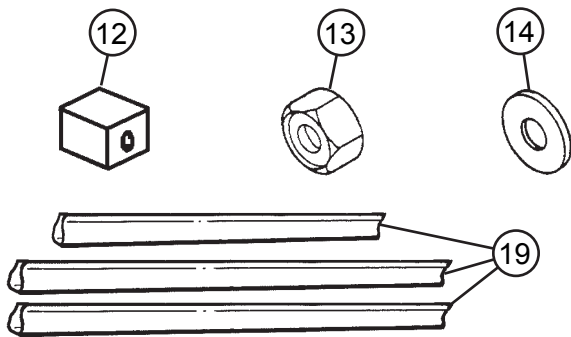
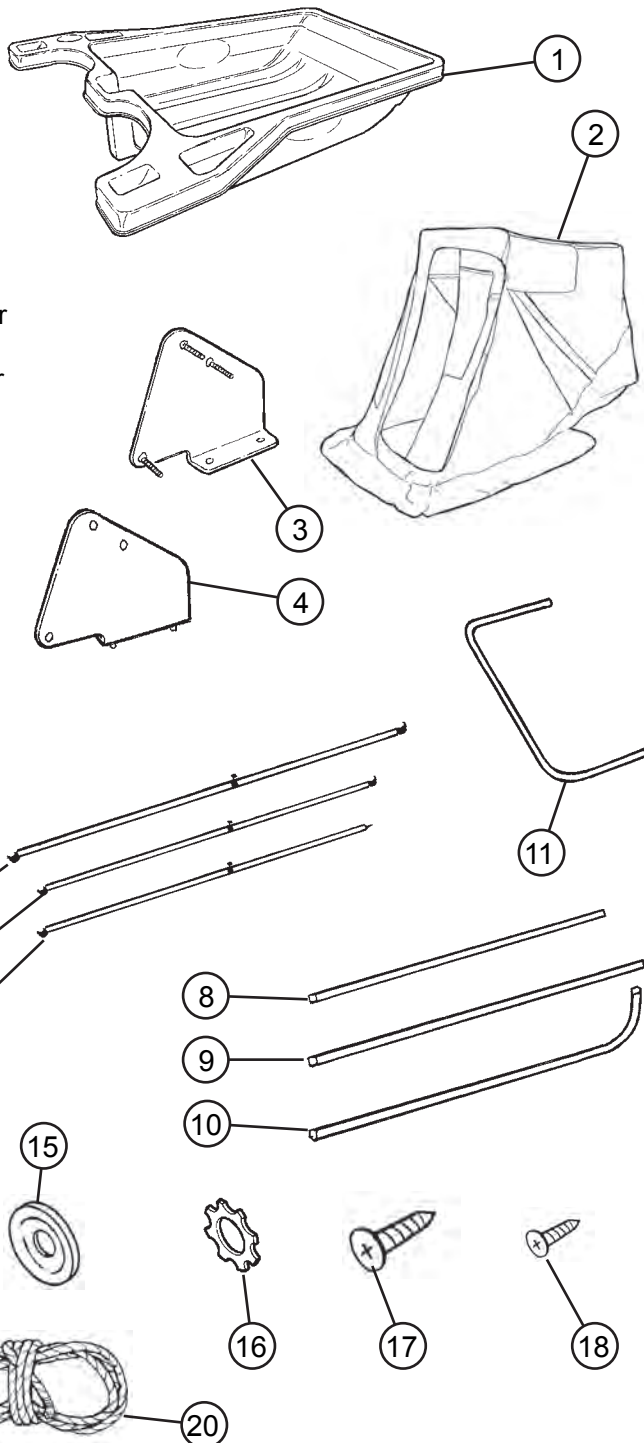
Parts Identification and Check List

MODEL NUMBERS:

Complete Pkg Hideout XT 200960

PARTS LIST

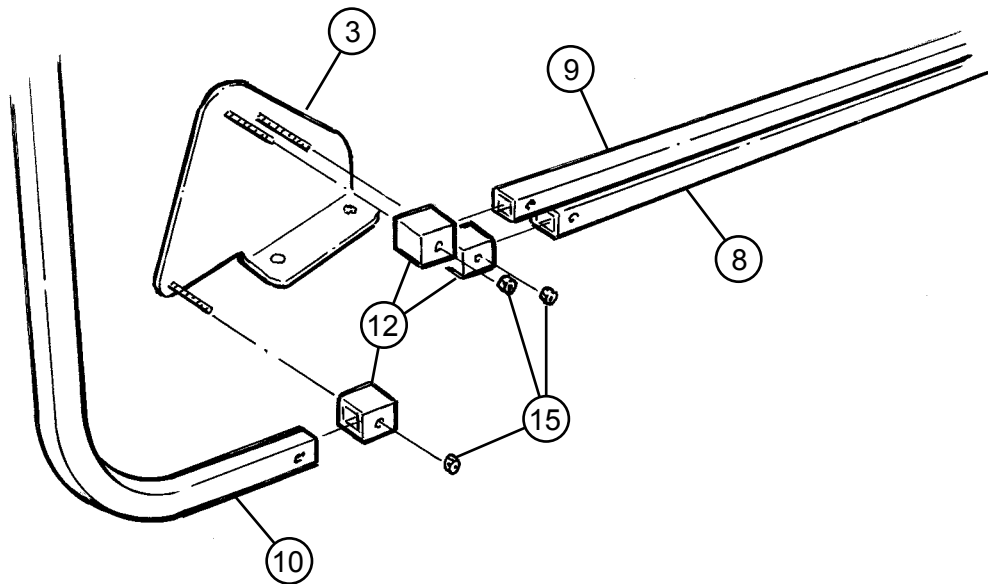
Item #	Qty	Part #	Description
1	1	200952	Sled - Black
2	1	200969	Tent - Hideout XT
3	1	201051	Frame Bracket "A" Right
4	1	201052	Frame Bracket "B" Left
5	1	201053	Front Adjustable Wind Support Bar
6	1	201053	Mid Adjustable Wind Support Bar
7	1	201054	Back Adjustable Wind Support Bar
8	2	201049	Back Main Frame Bar (41-7/8")
9	2	201048	Mid Main Frame Bar (43-7/16")
10	2	201047	Front Main Frame Bar (41.5")
11	3	201050	Top Frame Bar
12	6	200195	Black End Cap
13	10	400648	1/4" Nylon Hex Lock Nut
14	6	200615	5/16" Washer
15	12	200941	Plastic Protector
16	12	200943	Star Washer
17	16	400641	#8 x 3/4" Self Tapping Screw
18	13	200942	3/8" Self Tapping Screw
19	1	200978	Plastic Trim Lock Kit
20	1	201022	Rope



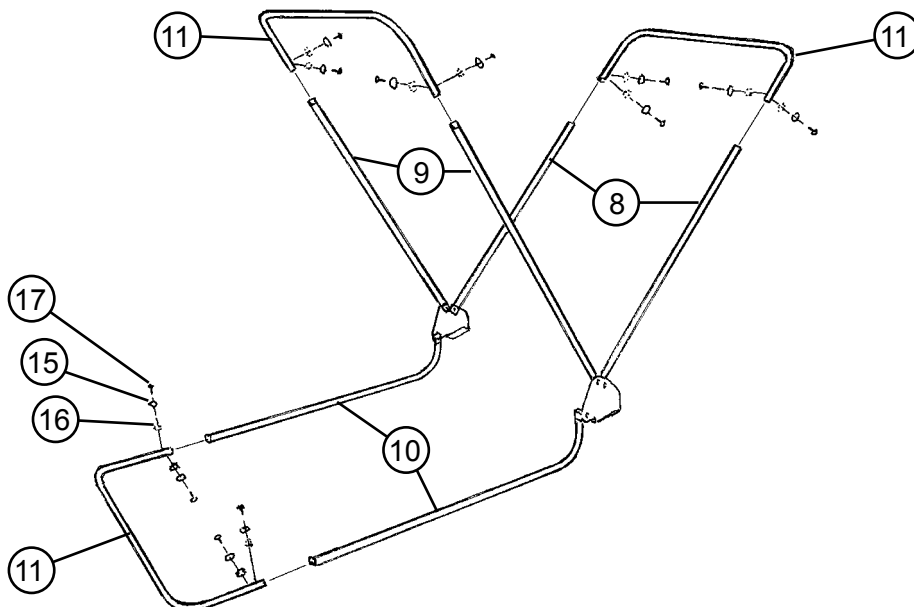
Tools Required:

7/16" Box End Wrench
7/16" Socket and Ratchet
Drill/Driver
Phillips Bit

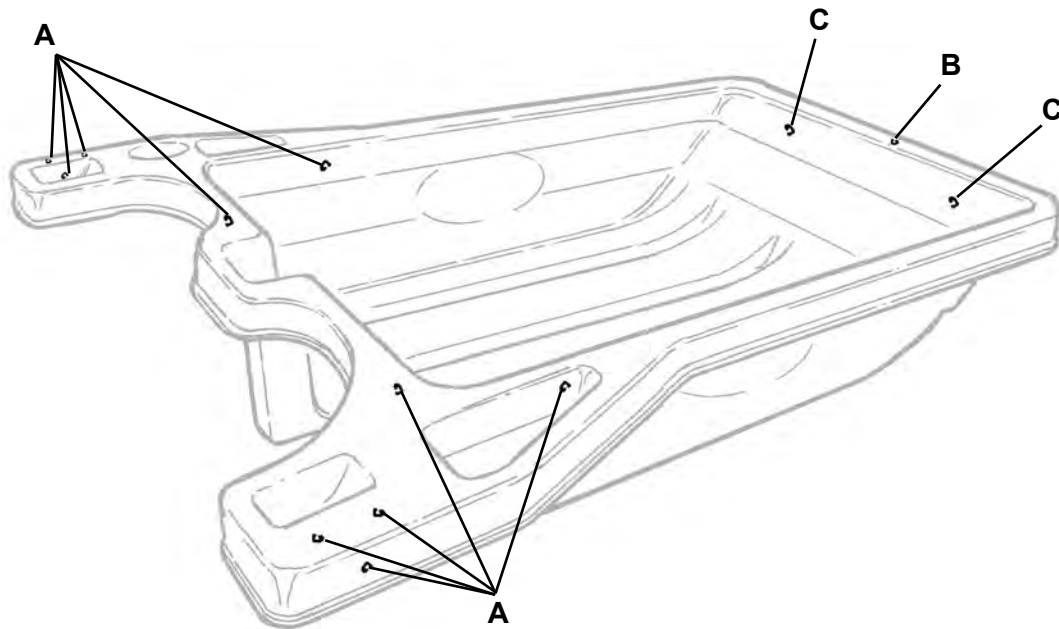
1. Insert black end caps (Item 12) onto the ends of the back main frame bar (Item 8), the mid main frame bar (Item 9), and the front main frame bar (Item 10). Position frame bracket "A" (Item 3) as shown and insert the back, mid, and front main frame bars onto the threaded studs on the frame bracket "A" (Item 3). Install a 1/4" nylon hex lock nut (Item 13) on each threaded stud. Repeat procedure for the opposite side using the frame bracket "B".



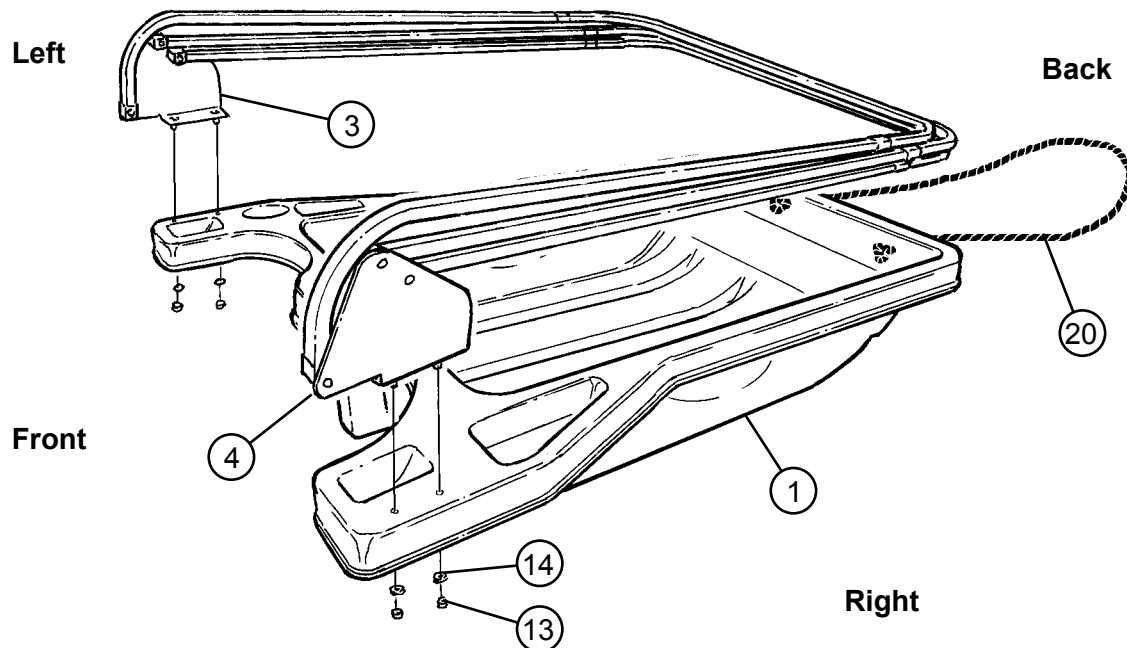
2. Assemble the top frame bars (Item 11) onto the main frame bars (Items 8, 9, and 10). Fasten together with plastic protectors (Item 15), star washers (Item 16), and #8 x 3/4" self tapping screws (Item 17). Do not overtighten as the threads in the aluminum may get stripped out.



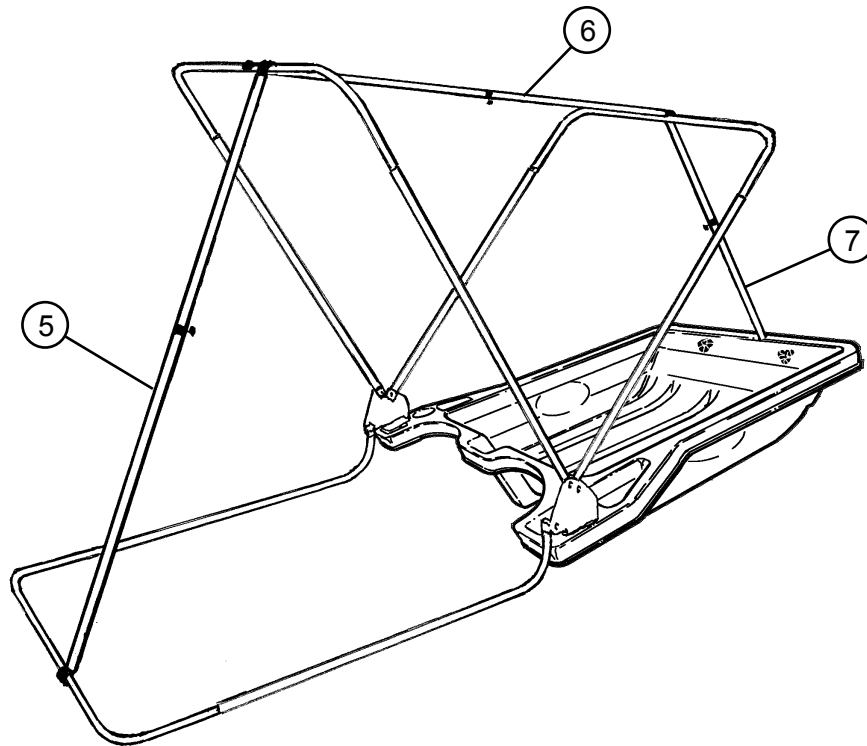
3. Drill out the premarked holes on the sled. Drill the 10 holes (A) with a 5/16" drill bit. Drill the 1 hole (B) with a 7/16" drill bit. Drill the 2 holes (C) with a 3/8" drill bit. The holes for the brackets (Items 3 and 4) can be drilled from underneath the sled.



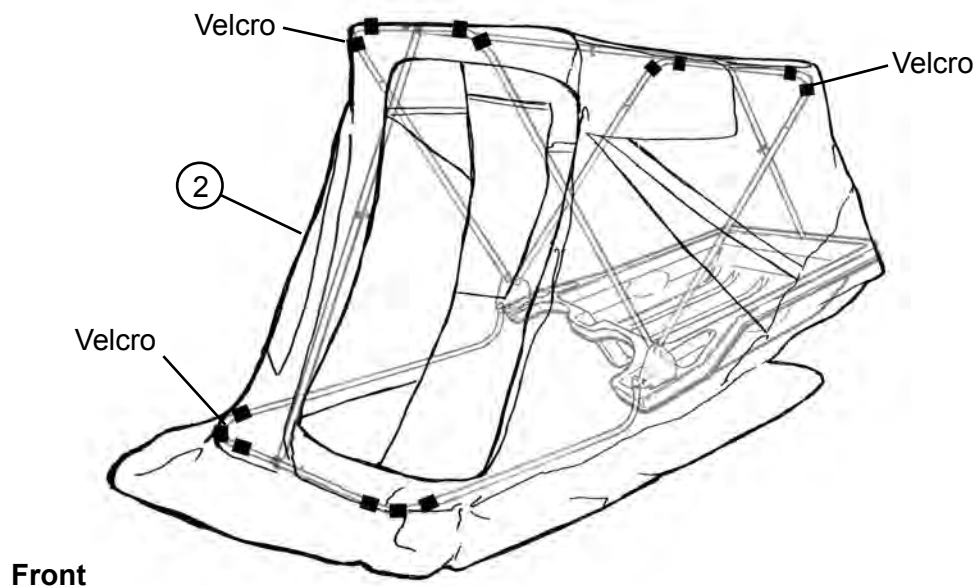
4. Position sled as shown. Assemble the frame bars onto the sled (Item 1) by lining up the threaded studs in the frame brackets (Items 3 and 4) with the drilled holes in the sled. Install 5/16" washers (Item 14) and 1/4" nylon hex lock nuts (Item 13) onto the threaded studs. Attach rope (Item 20) to back of sled.



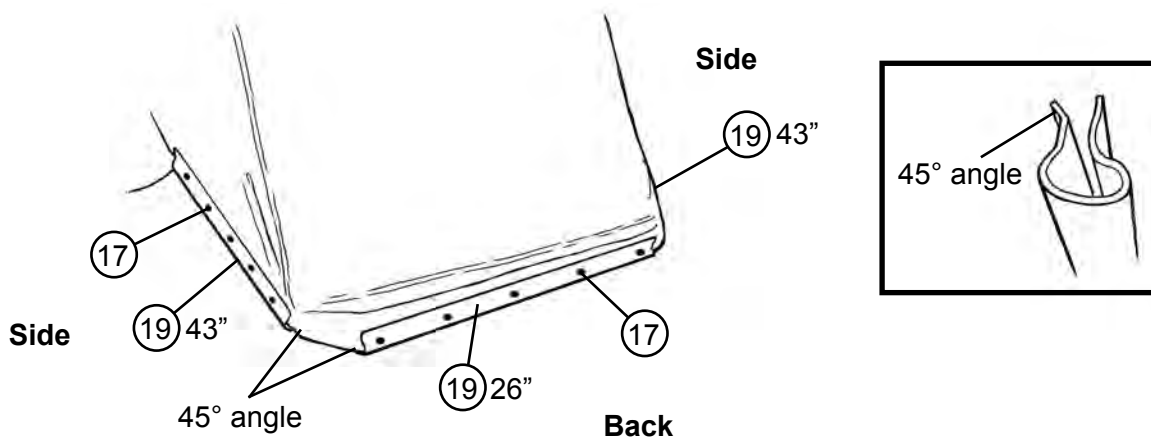
5. Install front adjustable wind support bar (Item 5), mid adjustable wind support bar (Item 6), and back adjustable wind support bar (Item 7). Insert the round peg on the back adjustable wind support bar into the drilled hole in the sled.



6. Slide the tent (Item 2) over the frame assembly with the door facing the front. Fasten the velcro strips on the inside of the tent to each main frame bar at all locations shown. Extend the front adjustable wind support so that it is tight enough that the tent is not sagging. Extend the mid adjustable wind support next and then the back adjustable wind support bar to fully support the tent.

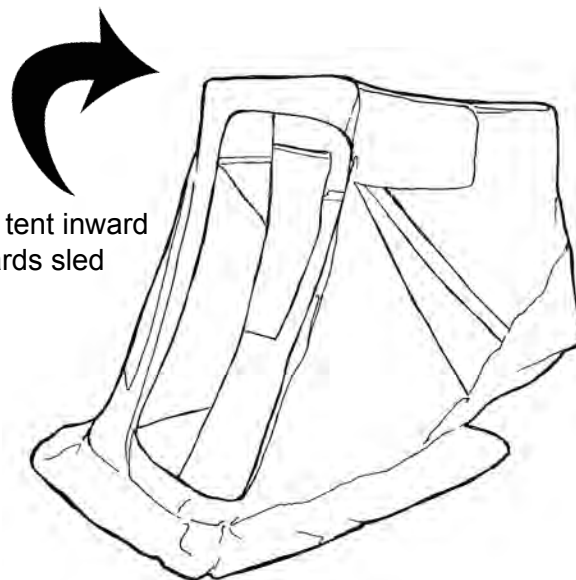


7. Install the plastic trim lock - 26" (Item 19) on the back side of the tent with the 45 degree angled edge to the inside of the tent. Install the plastic trim lock - 43" (Item 19) on both sides of the tent. Fasten each piece of trim lock with five #8 x 3/4" self tapping screws (Item 17). Check for proper fit before securing with screws.



To collapse tent and transport:

1. Collapse and remove the wind support bars and store inside the sled.
2. Fold the tent in towards the sled so all of the bars are resting on the sled.
3. Tuck in excess material.
4. Prepare fish house for transport.



Note: Use care with tent windows in cold weather, as creasing or crushing them will cause breakage.



Caution: Use adequate ventilation. Portable heaters use up oxygen and emit carbon monoxide. Use reflectors and identifying lights after dark or during limited visibility.



Fish House Fabric Use and Care Guide

Care must be taken during use to avoid damaging the fabric. Follow these guidelines to help protect the fabric. The warranty will not cover damage to the fabric because of wear, improper packing or abuse.

1. Do not pack any gear on top of the fabric. Propane tanks and augers can be especially damaging because of the sharp edges and the extra weight associated with them.
2. When folding up the framework do not allow the fabric to be pinched between the hinge brackets and the frame poles.
3. Do not allow the fabric to be trapped between gear that is in the sled and the sled bottom. Gear that is sitting on top of the fabric will damage it due to vibration and impact.
4. Do not allow the fabric to come in contact with the heater or operate the heater too close to the fabric. The fabric can melt or the coating may be compromised from the heat.
5. When towing the fish house behind an ATV or snowmobile extra care must be taken because of the extreme amount of vibration and jarring that can occur. Padding or foam may need to be placed between the poles to protect the fabric. Any hard or sharp edge can damage the fabric if it is not padded or protected in some manner.
6. Do not pull on fabric that is frozen into the ice. This may damage the fabric or cause a seam to fail. Use a chisel to chop around the fabric to free it.
7. The fabric may be cleaned with warm water and a mild detergent if needed.
8. Always dry out the fabric after use and before storing.

By taking a few precautions to protect and maintain the fabric it will provide years of service.