



Congratulations on your Guide Gear purchase.
Take your game to the next level with field-tested Guide Gear products for a confident,
competitive edge that strikes the perfect balance between performance and value.

Bolderton Heavy Duty Blind

Item #711493



For assistance with your Bolderton product, please contact the Sportsman's
Guide customer service at 1-800-888-5222 7:30am-6:00pm CST Mon-Fri or go to
<http://www.sportsmansguide.com/customerservice/contactus>



#ShareTheThrill

www.sportsmansguide.com

ATTENTION!! WHEN YOU SEE A "⚠ WARNING!" BE SURE TO HEED THE MESSAGE! THE INFORMATION CONTAINED IN THESE MESSAGES CAN SAVE YOUR LIFE!!

Please read and follow all instructions and warnings. Failure to follow these instructions may result in serious injury or death!

⚠ WARNING! This product is not fireproof. The fabric will burn if it comes into contact with an open flame or fuel. Keep product away from direct flame. Failure to follow this warning may result in serious injury or death!

⚠ WARNING! This product is for hunting purposes only! It is not to be used as a camping tent or for any other function. Failure to follow this warning may result in serious injury or death!

⚠ WARNING! Do not use devices that produce fumes inside of blind. Vapors and fumes could result in carbon monoxide poisoning, serious injury or death!

⚠ WARNING! Do not allow anyone to use lighted candles, matches, or other sources of fire near this product. Failure to follow this warning may result in serious injury or death!

⚠ WARNING! Do not allow the material to cover your face. This may result in serious injury, suffocation, or death!




⚠ WARNING! Do not allow children to use this product without direct adult supervision. Failure to follow this warning may result in serious injury or death!

GGB506 • PARTS LIST

Part #	Description	Qty
GG19-0101	[1] Upper/Lower Frame	8
GG19-0102	[2] Lower Vertical Support	8
GG19-0103	[3] Cross Support	16
GG19-0105	[4] Upper Vertical Support	8
GG19-0106	[5] Horizontal Support	6
GG19-0107	[6] Window Brace	3
GG19-0108	[7] Long Roof Brace	4
GG19-0110	[8] Short Roof Brace	4
GG19-0111	[9] Short Fiberglass Rod	1
GG19-0112	[10] Long Fiberglass Rod	1

Part #	Description	Qty
GG19-0113	[11] Blind Cover	1
GG19-0114	[12] Short Window Cover	8
GG19-0115	[13] Long Window Cover	4
GG19-0116	Short Bungee Cord	4
GG19-0117	Long Bungee Cord	8
GG19-0118	Instruction Manual	1
UP77-0052	5/16" x 2 3/8" Hex Bolt [A]	8
UP77-0019	1/4" x 1 1/2" Hex Bolt [E]	1
UP77-0054	1/4" x 1 3/8" Hex Bolt [F]	78
UP77-0033	5/16" Hex Nut [G]	8
UP77-0005	1/4" Wiz Nut [H]	79

GGB506 • HARDWARE PACK

Part #	Description	Qty
UP77-0200	[A] 5/16 x 2 3/8" Hex Bolt 	8
UP77-0201	[E] 1/4 x 1 1/2" Hex Bolt 	1
UP77-0202	[F] 1/4 x 1 3/8" Hex Bolt 	78

Part #	Description	Qty
UP77-0203	[H] 1/4" Hex Nut 	79

Note: Hardware is not listed for pre-assembled Waterfowl Door Hinges.

It is recommended to make sure you have all parts and hardware prior to assembly.

WARNING! Read all instructions and safety warnings and follow them thoroughly. Failure to follow these instructions may result in serious injury or death!

TIPS FOR INCREASING PRODUCT LONGEVITY

Always store your blind in a cool dry place and make sure that your blind is completely dry and clean before storing in carrying bag. Never leave your blind outside for any longer than needed. This material may fade after long periods of time in direct sunlight.

READ THIS MANUAL IN ITS ENTIRETY PRIOR TO USING THIS PRODUCT.

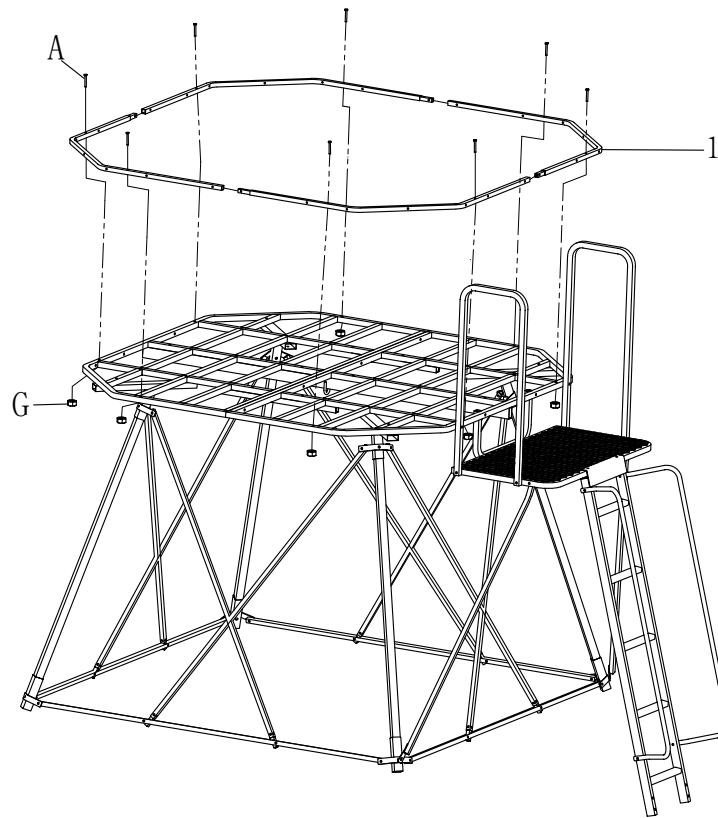
ATTENTION!! WHEN YOU SEE A "⚠ WARNING!" BE SURE TO HEED THE MESSAGE! THE INFORMATION CONTAINED IN THESE MESSAGES CAN SAVE YOUR LIFE!!

⚠ WARNING! DO NOT over tighten the hardware. Over tightening can lead to structural damage and may negatively affect the performance of your blind. Failure to follow these instructions may result in serious injury or death!

NOTE: Steps 1-12 require that you temporarily finger tighten all nuts and bolts until instructed to tighten. This will ensure proper alignment during assembly.

Most parts of this model are manufactured to be universal in use, so there may be some parts containing holes that will not be used for assembly. To minimize confusion in the assembly process, please read these instructions entirely before beginning.

- GGB509-B • Bolderton Heavy Duty Blind -



STEP 1: Only finger tighten the bolts until frame assembly is complete.

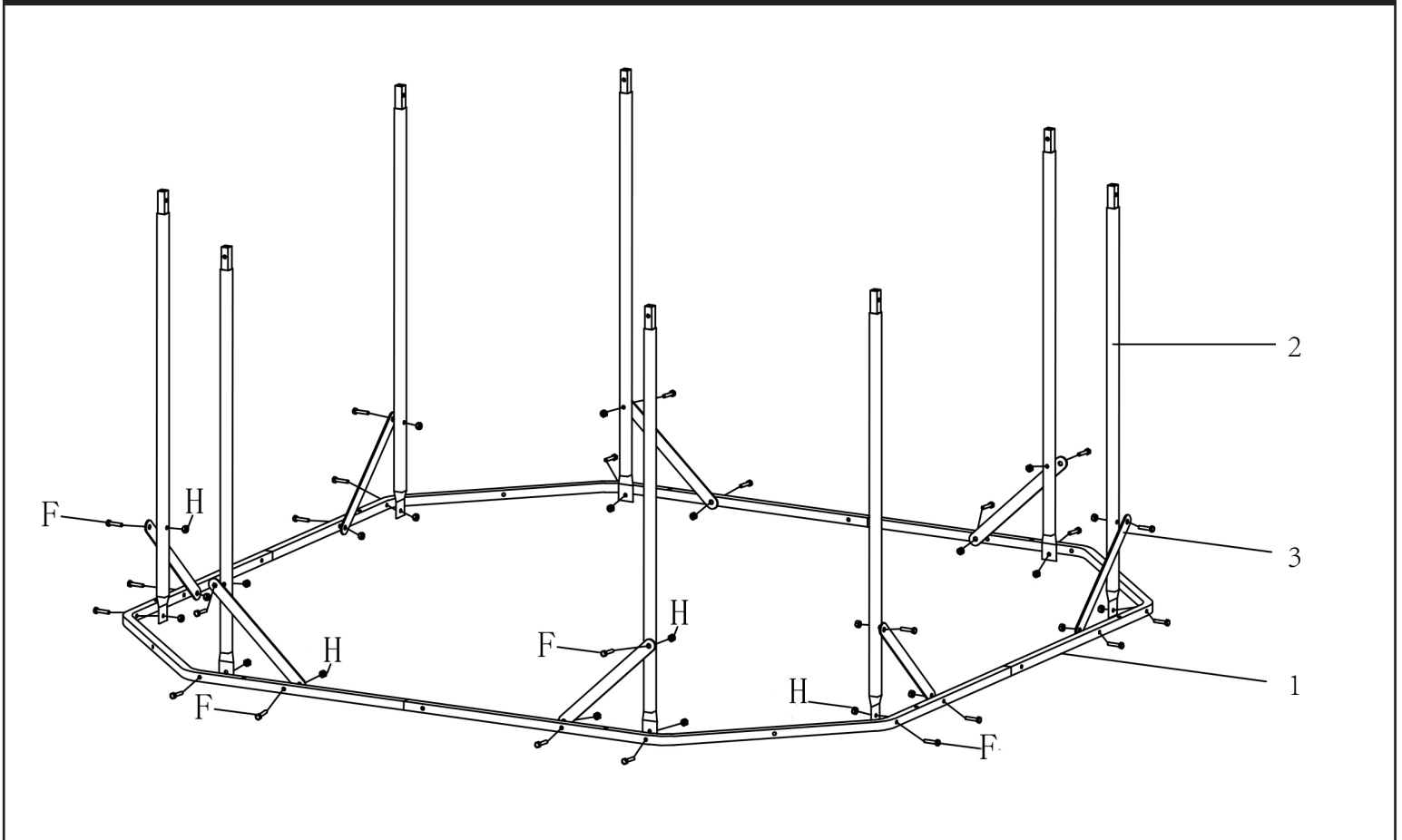
STEP 2: Assemble four (4) pieces of the lower/upper frames together, by sliding the splices together.

NOTE: If assembling to the GGT509-B Bolderton Deluxe 10' Tower, assemble four (4) lower/upper frames together, attach them to the platform of the tower and finger tighten. *Note preassemble tower to the height shown in Illustrations. Do not fully assemble tower before installing the blind.

READ THIS MANUAL IN ITS ENTIRETY PRIOR TO USING THIS PRODUCT.

**ATTENTION!! WHEN YOU SEE A "⚠ WARNING!" BE SURE TO HEED THE MESSAGE!
THE INFORMATION CONTAINED IN THESE MESSAGES CAN SAVE YOUR LIFE!!**

- GGB509-B • Bolderton Heavy Duty Blind -



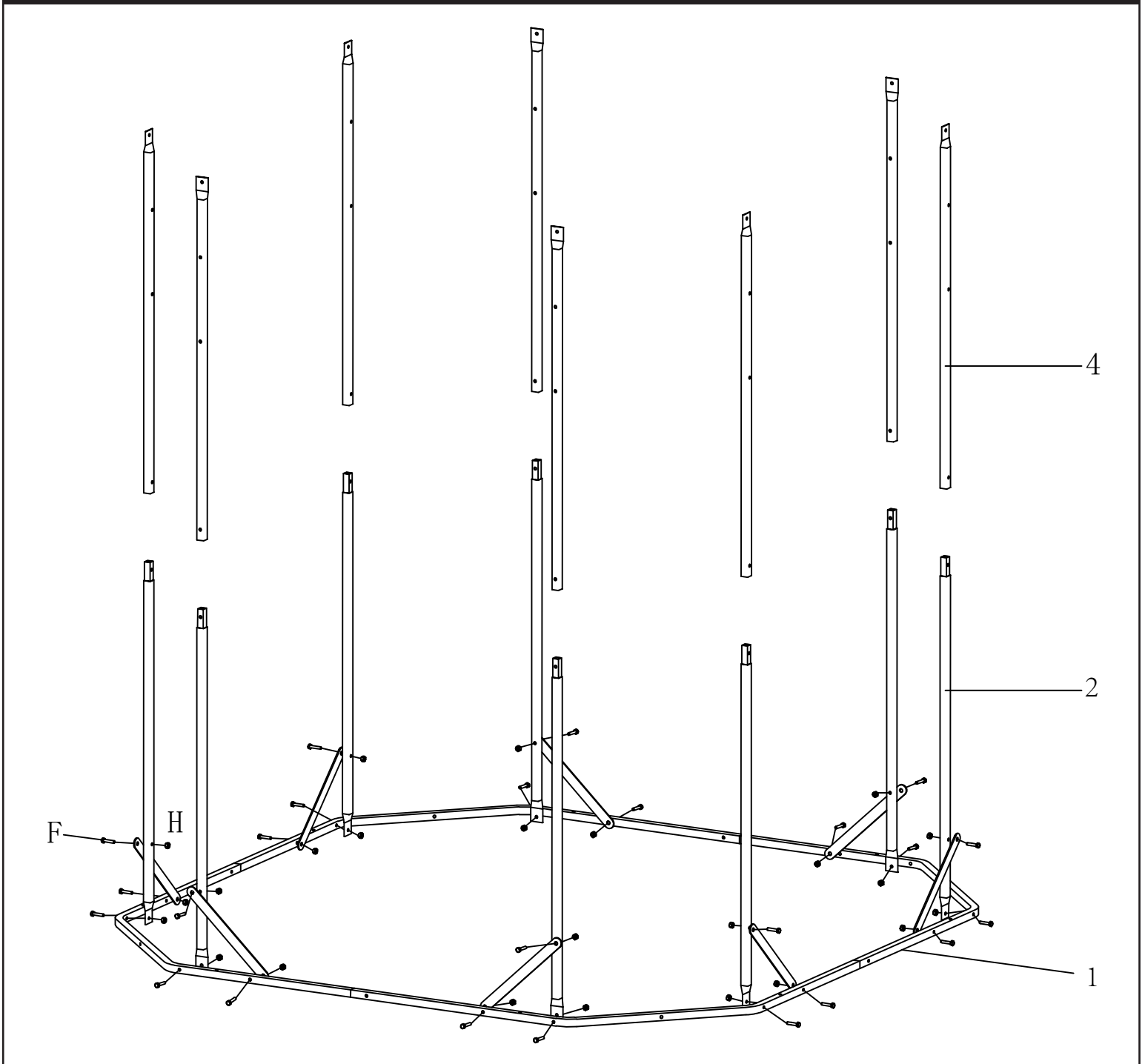
STEP 3: On the inside of the lower frame, attach eight (8) of the lower vertical supports using eight (8) $\frac{1}{4}$ x $1 \frac{3}{8}$ hex bolts [F] and eight (8) $\frac{1}{4}$ hex nuts [H]. Please note on illustration the correct locations to bolt vertical supports.

STEP 4: Next, on the inside of the lower frame, attach eight (8) cross supports to the lower frame and to the lower vertical supports using sixteen (16) $\frac{1}{4}$ x $1 \frac{3}{8}$ hex bolts [F] and sixteen (16) $\frac{1}{4}$ hex nuts [H]. As shown in illustration.

READ THIS MANUAL IN ITS ENTIRETY PRIOR TO USING THIS PRODUCT.

ATTENTION!! WHEN YOU SEE A "⚠ WARNING!" BE SURE TO HEED THE MESSAGE!
THE INFORMATION CONTAINED IN THESE MESSAGES CAN SAVE YOUR LIFE!!

- GGB509-B • Bolderton Heavy Duty Blind -

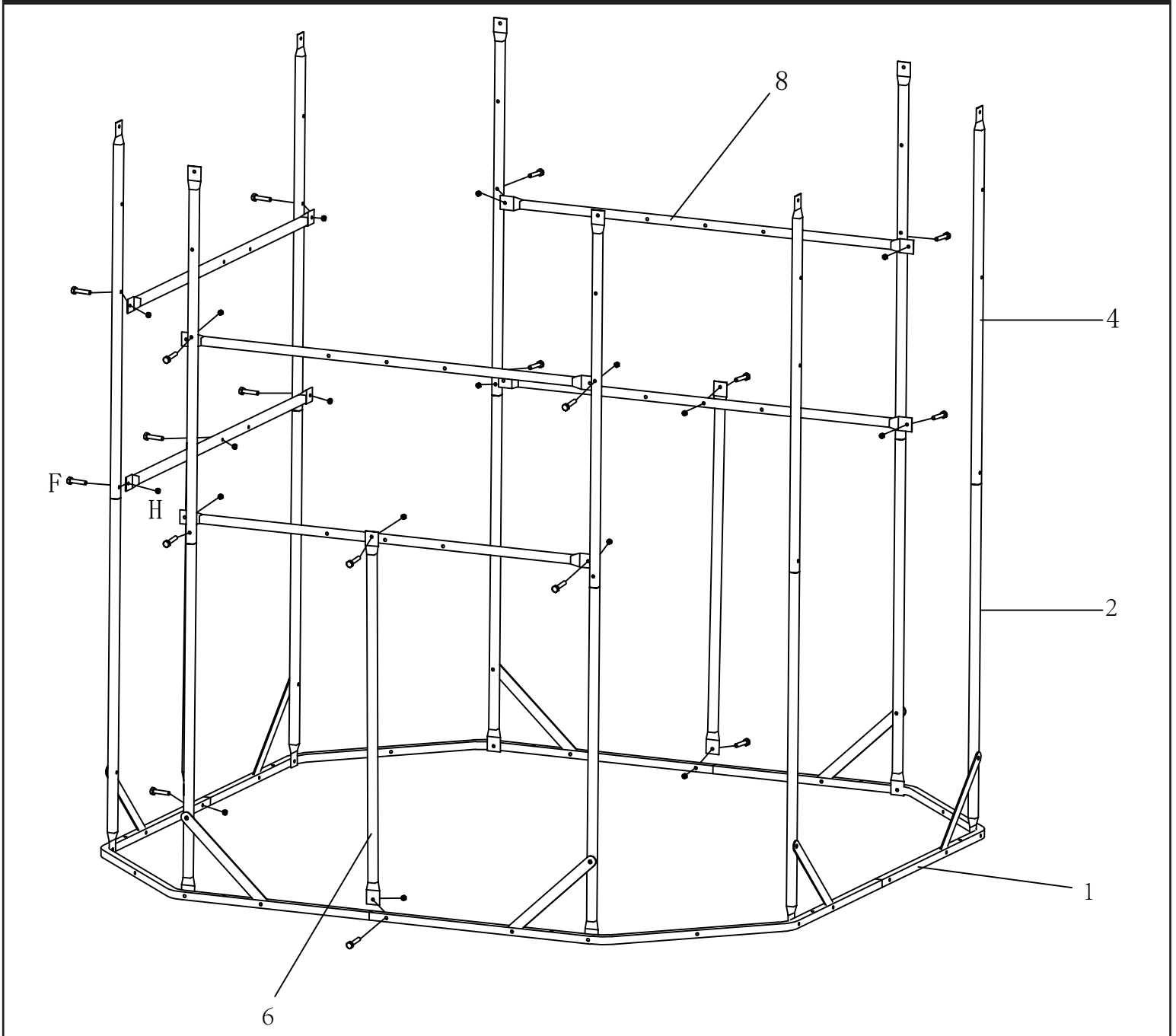


STEP 5: Then, slide the eight (8) upper vertical supports onto the lower vertical supports. Do not bolt together.

READ THIS MANUAL IN ITS ENTIRETY PRIOR TO USING THIS PRODUCT.

ATTENTION!! WHEN YOU SEE A "⚠ WARNING!" BE SURE TO HEED THE MESSAGE! THE INFORMATION CONTAINED IN THESE MESSAGES CAN SAVE YOUR LIFE!!

- GGB509-B • Bolderton Heavy Duty Blind -



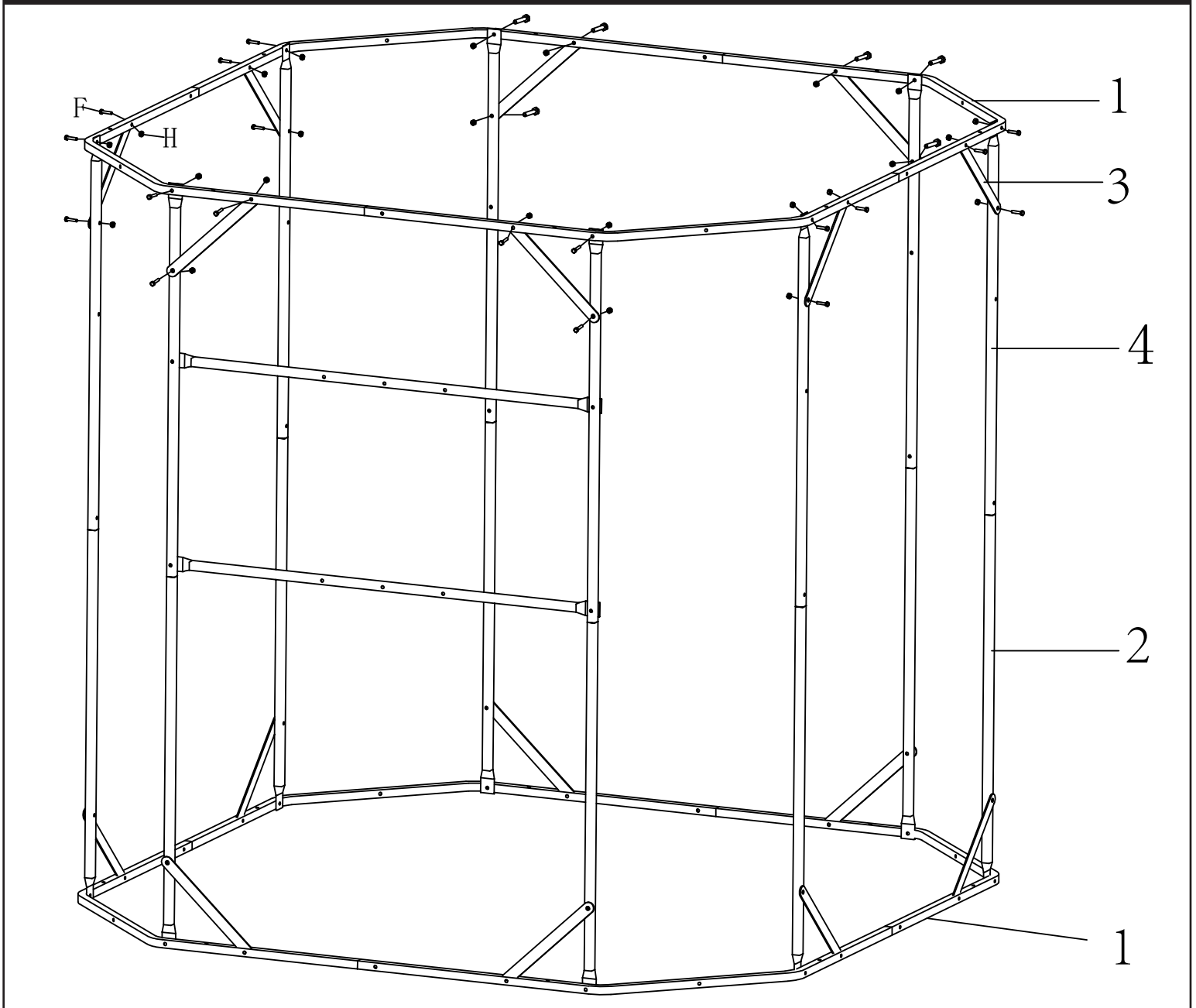
STEP 6: Attach the six (6) horizontal supports to the inside of the upper vertical supports using twelve (12) $\frac{1}{4}$ x $1 \frac{3}{8}$ hex bolts [F] and twelve (12) $\frac{1}{4}$ hex nuts [H].

STEP 7: Locate the three (3) window braces and attach it to the inside of the lower frame and the outside of the horizontal frame, using six (6) $\frac{1}{4}$ x $1 \frac{3}{8}$ hex bolts [F] and six (6) $\frac{1}{4}$ hex nuts [H].

READ THIS MANUAL IN ITS ENTIRETY PRIOR TO USING THIS PRODUCT.

ATTENTION!! WHEN YOU SEE A "⚠ WARNING!" BE SURE TO HEED THE MESSAGE! THE INFORMATION CONTAINED IN THESE MESSAGES CAN SAVE YOUR LIFE!!

- GGB509-B • Bolderton Heavy Duty Blind -



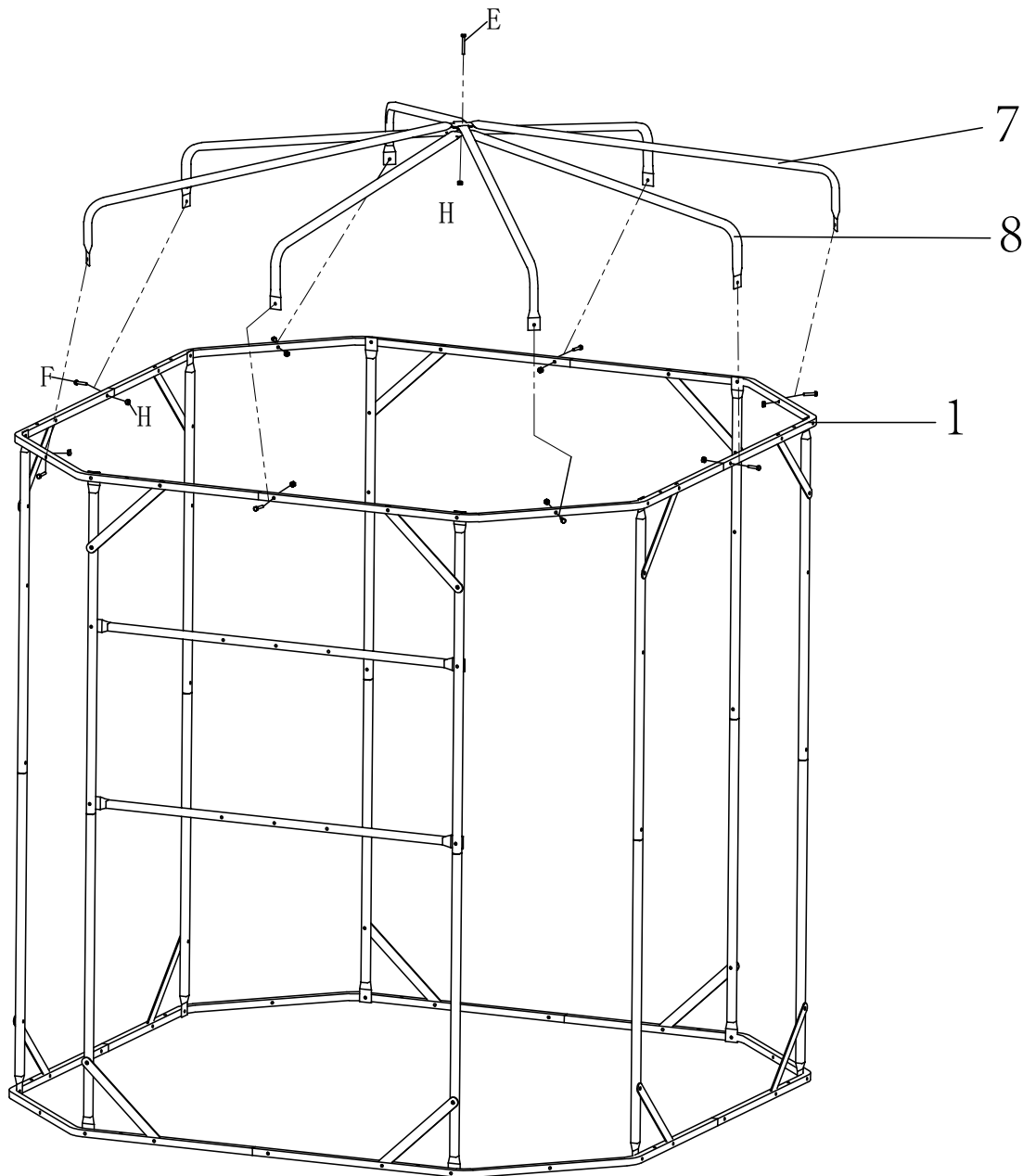
STEP 8: Attach the four remaining lower/upper frames to the outside of the upper vertical supports using eight (8) $\frac{1}{4}$ x $1 \frac{3}{8}$ hex bolts [F] and eight (8) $\frac{1}{4}$ hex nuts [H].

STEP 9: On the inside of the upper frame, attach eight (8) cross supports to the upper frame and to the upper vertical supports using sixteen (16) hex bolts $\frac{1}{4}$ x $1 \frac{3}{8}$ [F] and sixteen (16) $\frac{1}{4}$ hex nuts [H], as shown in illustration.

READ THIS MANUAL IN ITS ENTIRETY PRIOR TO USING THIS PRODUCT.

**ATTENTION!! WHEN YOU SEE A "⚠ WARNING!" BE SURE TO HEED THE MESSAGE!
THE INFORMATION CONTAINED IN THESE MESSAGES CAN SAVE YOUR LIFE!!**

- GGB509-B • Bolderton Heavy Duty Blind -



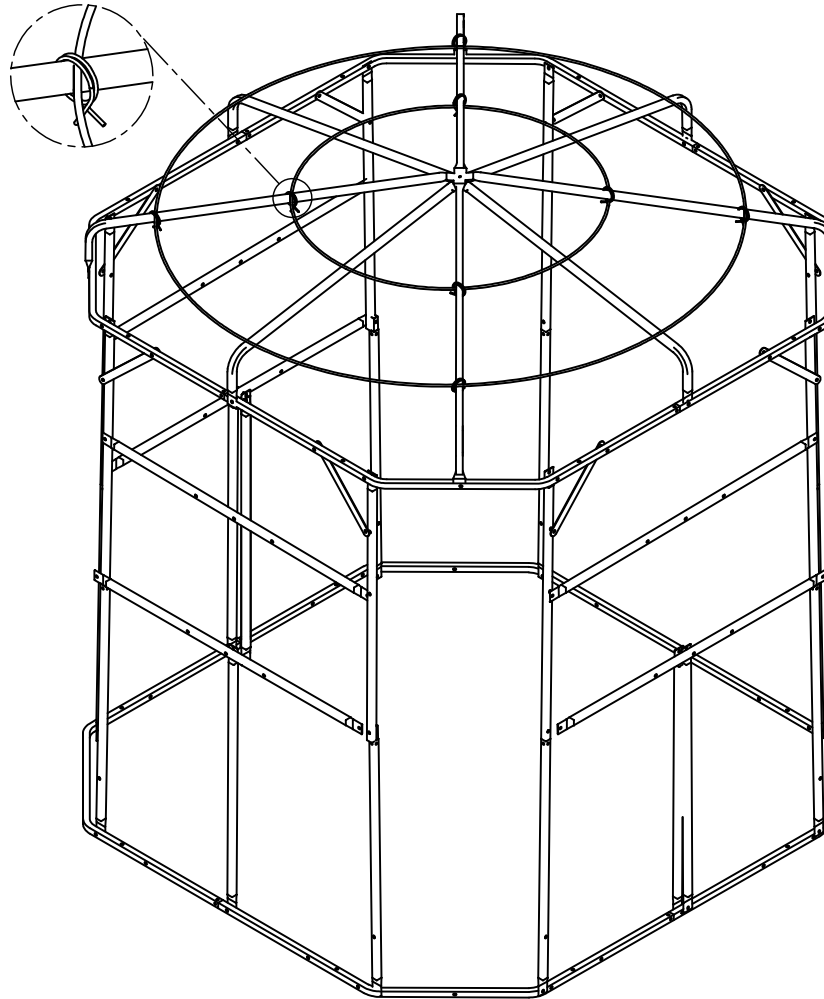
STEP 10: Starting on one side and working your way around the blind. Bolt the roof braces to the outside of the upper frame using eight (8) hex bolts $\frac{1}{4}$ x $1 \frac{3}{8}$ [F] and eight (8) $\frac{1}{4}$ hex nuts [H]. Be sure to attach long roof braces to the four short sides of the blind and attach the short roof braces to the four wide sides of the blind. As shown in illustration.

STEP 11: Bolt all roof braces together in the center using one (1) $\frac{1}{4}$ x $1 \frac{1}{2}$ hex bolt [E] and one (1) $\frac{1}{4}$ hex nut [H].

READ THIS MANUAL IN ITS ENTIRETY PRIOR TO USING THIS PRODUCT.

**ATTENTION!! WHEN YOU SEE A "⚠ WARNING!" BE SURE TO HEED THE MESSAGE!
THE INFORMATION CONTAINED IN THESE MESSAGES CAN SAVE YOUR LIFE!!**

- GGB509-B • Bolderton Heavy Duty Blind -



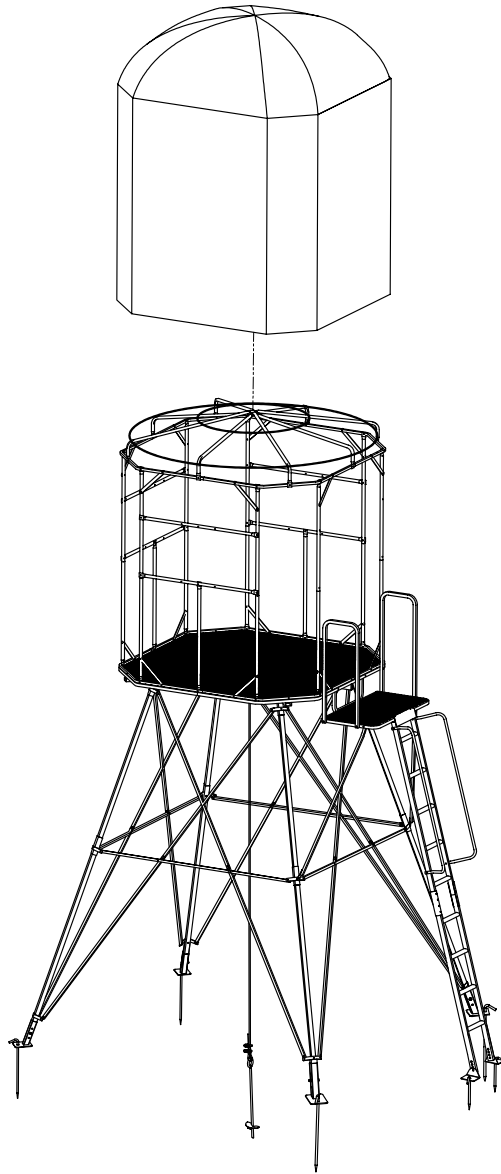
STEP 12: Connect the short fiberglass rod together into a circle and place on top of the roof supports, making sure it is centered on the middle of the roof supports. Then use the straps provided to secure the fiberglass rod to the roof supports. Complete these same steps for the long fiberglass rod and secure to the roof supports.

STEP 13: Tighten all bolts on the blind and make sure everything is secure. If you are attaching the blind to the GGT509-B Bolderton Deluxe 10' Tower, you can tighten the bolts connecting the lower frame to the platform on step 14. All other bolts should be tightened at this time.

READ THIS MANUAL IN ITS ENTIRETY PRIOR TO USING THIS PRODUCT.

**ATTENTION!! WHEN YOU SEE A "⚠ WARNING!" BE SURE TO HEED THE MESSAGE!
THE INFORMATION CONTAINED IN THESE MESSAGES CAN SAVE YOUR LIFE!!**

- GGB509-B • Bolderton Heavy Duty Blind -

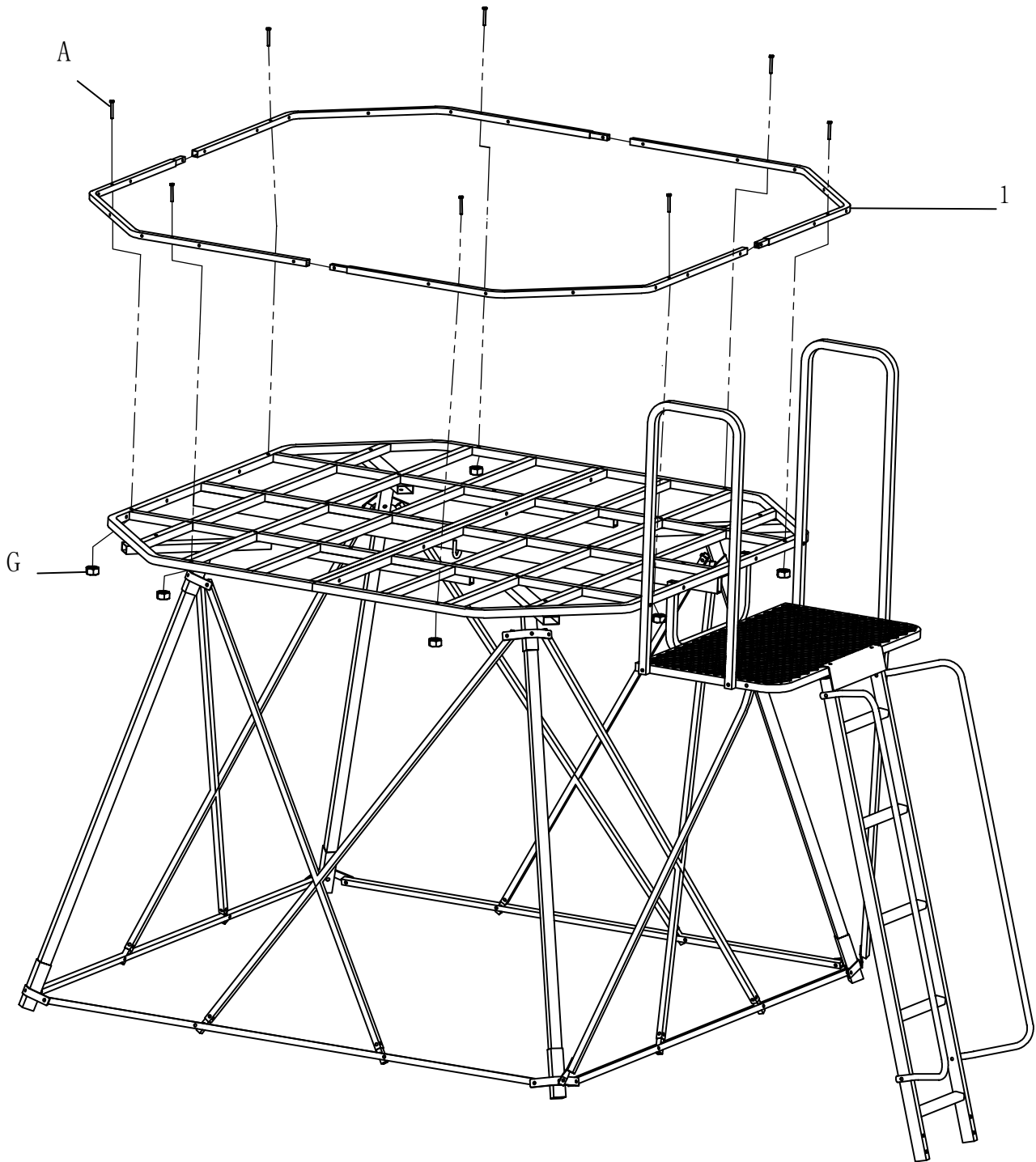


STEP 14: Installing the blind cover. Make sure all zippers are unzipped to allow for easier fit and adjusting until the cover is positioned in the correct location. First, locate the door on the blind cover and the door on the metal frame, make sure to align these two pieces. Then lift the cover over the roof supports and fiberglass rods. Pull down on each side equally working around the blind making sure it is centered. If the cover pulls hard make sure to look for any spots where the blind is stuck. Do not force blind cover over the metal frame as you could cause damage to the cover. Once the cover is properly in place and centered, zip the side zippers closed. If you are using the blind on the GGT509-B Bolderton Deluxe 10' Tower, you can now pull the extra blind fabric between the lower frame and the platform of the tower. This will ensure the fabric is tight and will not move in the wind.

READ THIS MANUAL IN ITS ENTIRETY PRIOR TO USING THIS PRODUCT.

ATTENTION!! WHEN YOU SEE A "⚠ WARNING!" BE SURE TO HEED THE MESSAGE!
THE INFORMATION CONTAINED IN THESE MESSAGES CAN SAVE YOUR LIFE!!

- GGB509-B • Bolderton Heavy Duty Blind -

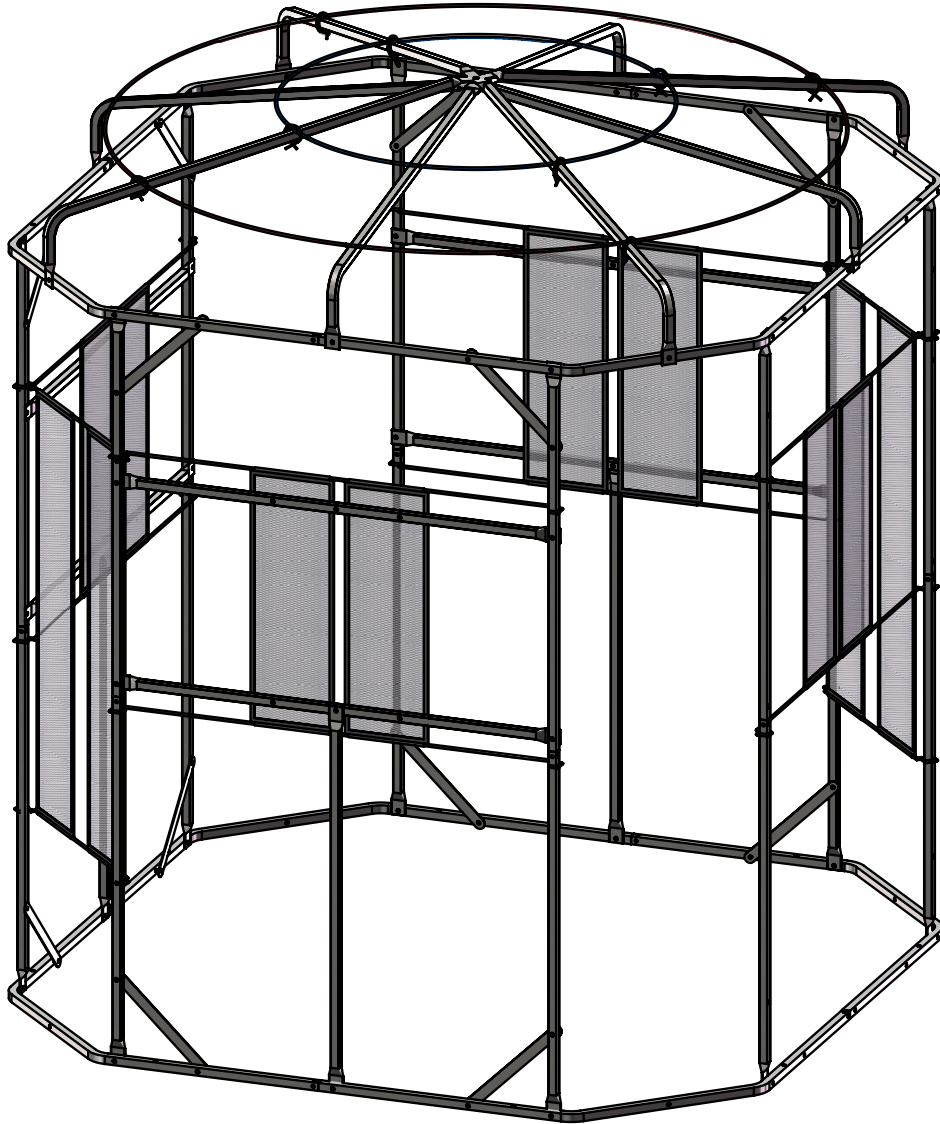


STEP 15: If used on GGT509-B Bolderton Deluxe 10' Tower, tighten down the bolts that connect the lower frame to the tower platform using eight (8) 5/16 x 2 3/8 [A] and eight (8) 5/16 hex nuts [G].

READ THIS MANUAL IN ITS ENTIRETY PRIOR TO USING THIS PRODUCT.

**ATTENTION!! WHEN YOU SEE A "⚠ WARNING!" BE SURE TO HEED THE MESSAGE!
THE INFORMATION CONTAINED IN THESE MESSAGES CAN SAVE YOUR LIFE!!**

- GGB509-B • Bolderton Heavy Duty Blind -



STEP 16: Review illustration above for installing window covers. You will notice the tall windows are used on the narrow sides of the blind and the short windows are used on the wider sides of the blind. For the tall window covers you can choose the two windows of your preference to cover. For the short window covers you have two options of blackout and see through covers.

READ THIS MANUAL IN ITS ENTIRETY PRIOR TO USING THIS PRODUCT.



www.sportsmansguide.com

This GUIDE GEAR product(s) has been tested to rigid industry standards. Safe operation and use of this GUIDE GEAR product(s) is the responsibility of the user(s). Please read and follow all safe use instructions and warnings. Failure to follow these may result in serious injury or death!

First Edition, 2019. Published by GUIDE GEAR.
© 2019 GUIDE GEAR. All rights reserved.