



CASTLECREEK

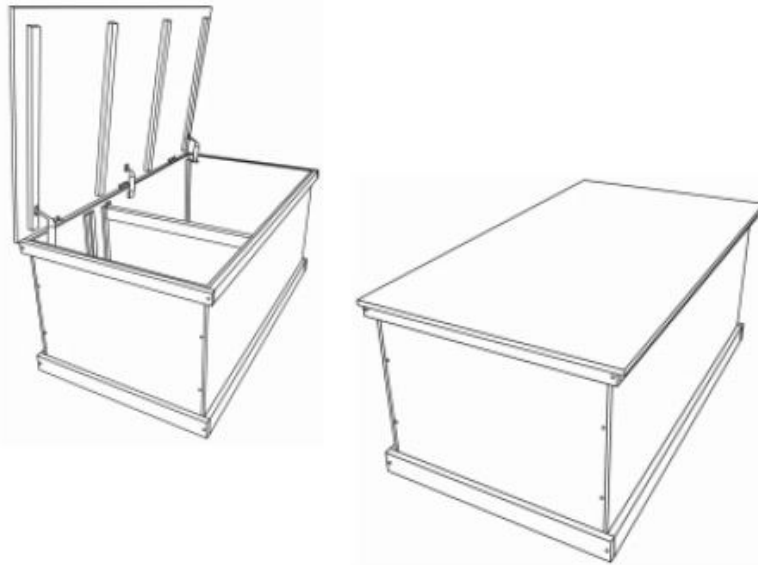
The Way You Live

Congratulations on your CASTLECREEK purchase.

Smart style, long-lasting durability and unsurpassed value, that's what you get with CASTLECREEK. Comfort for home and outdoors, since 1977, backed by the strongest satisfaction guarantee in the business.

Cooler Storage Bench

Item#: 714929-000-000



For assistance with your CASTLECREEK product, please contact Sportsman's Guide customer service toll-free at 1-800-888-3006 Mon.-Fri. 7:00am - 9:00pm, Sat. and Sun. 8:00am-8:00pm CST or go to:
<http://www.sportsmansguide.com/customerservice/contactus>

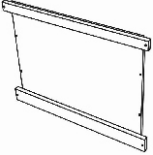










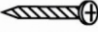
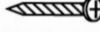


#ShareTheThrill

www.SportsmansGuide.com

COOLER STORAGE BENCH ASSEMBLY INSTRUCTIONS

PARTS LIST

 A. Side Panel 2pcs	 B. Front Panel 1pc	 C. Back Panel 1pc	 D. Bottom Panel 2pcs	 E. Divider 1pc
 F. Lid 1pc	 G. Middle Safety Hinge 1pc	 (LEFT) H. Left Safety Hinge 1pc	 (RIGHT) I. Right Safety Hinge 1pc	 (ϕ 2.5x15mm) J. Short Screw 9pcs
 (ϕ 3x15mm) K. Medium Screw 16pcs	 (ϕ 3.5x30mm) L. Long Screw 8pcs	 (ϕ 3.5x40mm) M. Extra Long Screw 8pcs		

ADDITIONAL DETAILS / WARNINGS:

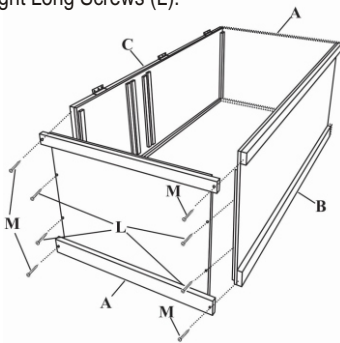
⚠ WARNING: CHOKING HAZARD- Contains small parts- keep parts and packaging away from children and pets.

⚠ WARNING: Do not stand on storage bench.

- Read and understand all warnings, cautions, assembly, installation and use instructions prior to assembling, installing or using this product. Failure to follow all warnings, cautions and instructions may result in serious injury or damage to personal property.
- Confirm all parts are present before assembly. If any part is missing, cracked or damaged, please contact Sportsman's Guide customer service before assembly.
- Assemble product on a soft surface (like the cardboard box) to protect from scratching or damaging the item and other surfaces
- Tools required (not included): Philips screwdriver and pliers
- At least two people are recommended for safe assembly and installation of this product.
- Once assembled, make sure the product is placed on a firm, level surface.
- NEVER exceed the weight limit of 300 pounds (135kgs).
- To avoid injury, periodically check all nuts and bolts for tightness during usage and check hardware for signs of wear and possibly metal fatigue that may require repair or replacement.
- Solid wood such as this has knots and cracking which are normal and should be considered an enhancement to the natural beauty of this product.

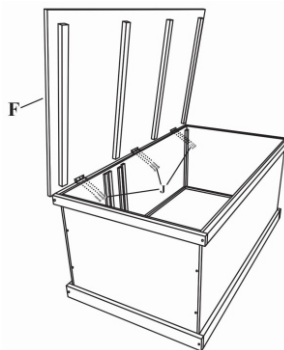
STEP 1:

Attach both Side Panels (A) to Back Panel (C) and Front Panel (B) using eight Extra Long Screws (M) and eight Long Screws (L).



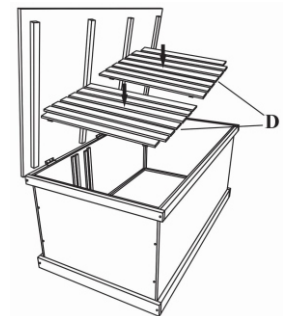
STEP 2:

Attach the Lid (F) to the pre-assembled hinges located on the Back Panel (C) using nine Short Screws (J).



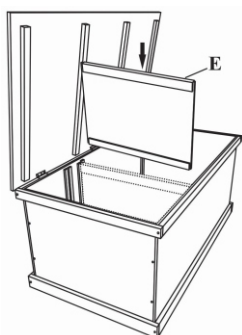
STEP 3:

Place both Bottom Panels (D) into the assembled unit as shown in diagram below.



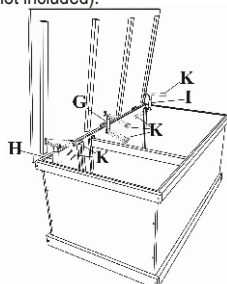
STEP 4:

Insert the Divider (E) into the desired slot position located inside the assembled unit. (Note: two slot positions are offered for desired spacing inside storage bench)



STEP 5:

Secure the Left Safety Hinge (H) and Right Safety Hinge (I) to the Lid (F) and Side Panels (A) using eight Medium Screws (K) (four screws for each hinge). Attach the Middle Safety Hinge (G) to the Lid (F) and Back Panel (C) using eight Middle Screws (K). Tighten all screws using a Philips Screwdriver (not included).



STEP 6:

Assembly Complete.

