

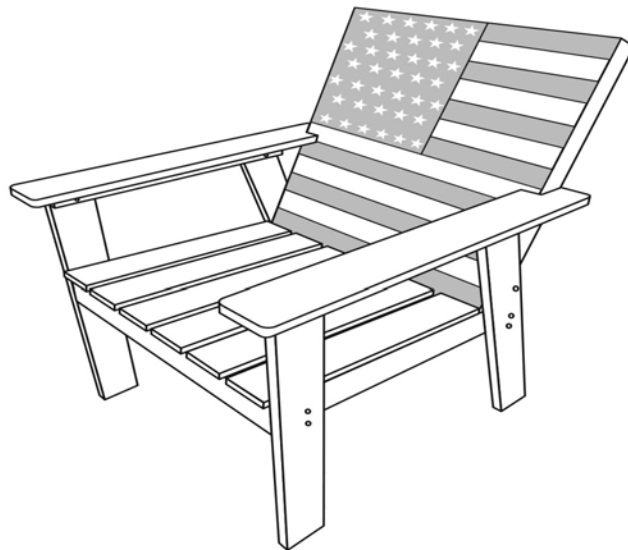


CASTLECREEK®

Congratulations on your CASTLECREEK® purchase.

We're proud to help you furnish and enhance the place you call home. Whether indoors or outside, CASTLECREEK® is the perfect choice for comfortable living at an exceptional value.

Item#: 714932 CASTLECREEK® Distressed Flag Chair



For assistance with your product, please contact the Sportsman's Guide customer service at 1-800-888-3006 Mon.-Fri. 7:00am to 9:00pm, Sat.-Sun. 8:00am to 8:00pm CST or go to sportsmansguide.com/customerservice/contactus

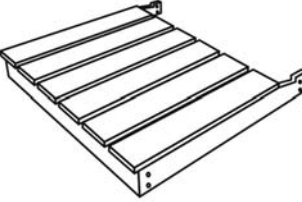


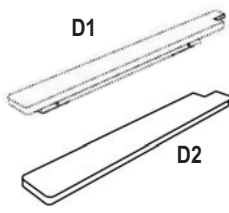
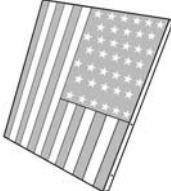




#ShareTheThrill

www.SportsmansGuide.com

DISTRESSED FLAG CHAIR ASSEMBLY INSTRUCTIONS

PARTS LIST

 <p>A. Seat 1pc</p>	 <p>B. Front Legs 2pcs</p>	 <p>C. Back Legs 2pcs</p>	 <p>D. Armrest 2pcs</p>	 <p>E. Back Rest 1pc</p>	 <p>(ϕ 6x50mm) F. Short Bolt, Nut, Washer Set 14sets</p>  <p>(ϕ 6x85mm) G. Long Bolt, Nut, Washer Set 2sets</p>
--	--	---	--	--	---

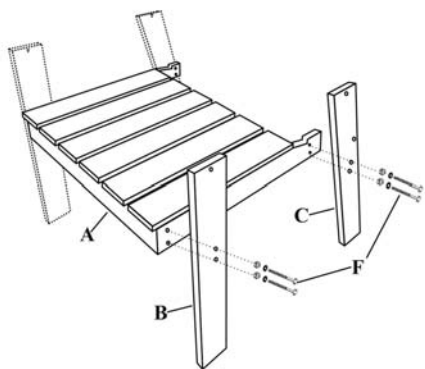
ADDITIONAL DETAILS / WARNINGS:

- ⚠ WARNING: CHOKING HAZARD-** Contains small parts- keep parts and packaging away from children and pets.
- ⚠ WARNING:** Do not stand on chair.

- Read and understand all warnings, cautions, assembly, installation and use instructions prior to assembling, installing or using this product. Failure to follow all warnings, cautions and instructions may result in serious injury or damage to personal property.
- Confirm all parts are present before assembly. If any part is missing, cracked or damaged, please contact Sportsman's Guide customer service before assembly.
- Assemble product on a soft surface (like the cardboard box) to protect from scratching or damaging the item and other surfaces.
- Tools required (not included): Philips screwdriver and pliers
- At least two people are recommended for safe assembly and installation of this product.
- Once assembled, make sure the product is placed on a firm, level surface.
- NEVER exceed the weight limit of 200 pounds (90kgs).
- To avoid injury, periodically check all nuts and bolts for tightness during usage and check hardware for signs of wear and possibly metal fatigue that may require repair or replacement.
- Solid wood such as this has knots and cracking which are normal and should be considered an enhancement to the natural beauty of this product.

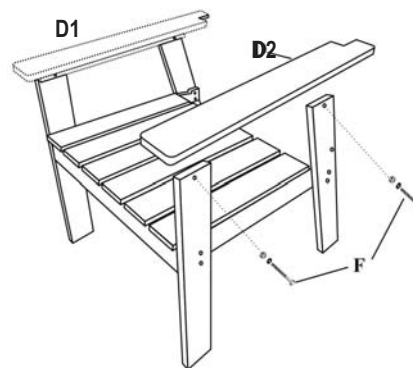
STEP 1:

Attach both Front Legs (B) and Back Legs (C) to Seat (A) with eight Short Bolt, Nut and Washer Sets (F) using a Philips screwdriver (not included).



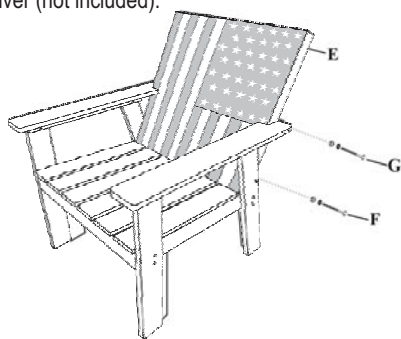
STEP 2:

Attach both Armrests (D) to Front Legs (B) and Back Legs (C) with four Short Bolt, Nut and Washer Sets (F) using a Philips screwdriver (not included).



STEP 3:

Attach the Back (E) to Back Legs (C) with two Short Bolt, Nut and Washer Sets (F) and to Armrests (D) with two Long Bolt, Nut, Washer Sets (G) using a Philips screwdriver (not included).



STEP 4:

Assembly Complete.



MADE IN CHINA