



Congratulations on your Guide Gear® purchase.

Enjoy your new Guide Gear® item with confidence, knowing it has been designed and built to deliver dependable quality and performance at an exceptional value.

Item #716491 Guide Gear® Stainless Steel Folding Table



For assistance with your product, please contact Sportsman's Guide customer service at 1-800-888-3006 Mon.-Fri. 7:00am to 9:00pm, Sat.-Sun. 8:00am to 8:00pm CST or go to sportsmansguide.com/customerservice/contactus



For future reference, please complete the owner's record below:

Serial Number/Lot Date Code: _____

Purchase Date: _____

Save the receipt, warranty, and this manual. It is important that you read the entire manual to become familiar with this product before you begin using it.

This product is designed for certain applications only. The Sportsman's Guide and Northern Tool & Equipment Company, Inc. are not responsible for issues arising from modification or improper use of this product such as an application for which it was not designed. We strongly recommend that this product not be modified and/or used for any application other than that for which it was designed.

For Missing/Replacement Parts

Please call the toll-free number:
1-888-326-8502

Or email:
parts@uriahproducts.com

Mon-Fri 8:00 AM - 5:00 PM CST

48" Table: 1A-SC129

60" Table: 1A-SC130

72" Table: 1A-SC131

Parts List

1	Table Top	3	Adjustable Foot Caps
2	Table Legs	4	Shelf support



WARNINGS and CAUTIONS

Inspect the work area before each use. Keep the work area clean, dry and free of clutter. Always work in a well-lit space to avoid injury.

Confirm all parts are present before assembly. If any part is missing, cracked or damaged, please contact Uriah customer service before assembly.

Read and understand all warnings, cautions, assembly, installation and use instructions prior to assembling, installing or using this product. Failure to follow all warnings, cautions and instructions may result in serious injury or damage to personal property.

WARNING: This package contains small parts and is a choking hazard, keep away from children and pets.

WARNING: Serious or fatal injuries can occur from tip over. Consider anchoring the table to lessen tip-over risk.

NEVER attempt to modify this product or subject it to an installation or use for which it was not designed. Doing so may result in damage and/or serious injury.

ALWAYS thoroughly inspect your product for loose parts and/or signs of damage prior to each use. NEVER use until any loose parts have been properly secured or damaged parts have been properly replaced.

Inspect the work area before each use. Keep work area clean, dry, free of clutter and well-lit. Cluttered, wet, or dark work areas can result in injury.

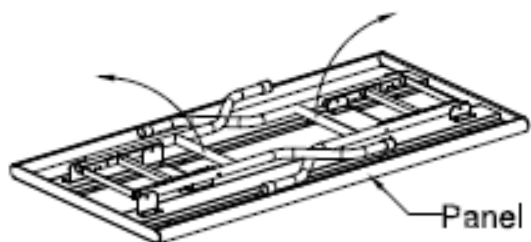
Using the product in confined work areas may put you dangerously close to cutting tools and rotating parts.

Do not exceed the weight limit stated for each table length: 48" - 350 pounds (160 kg); 60" - 395 pounds (180 kg) and 72" - 440 pounds (200 kg).

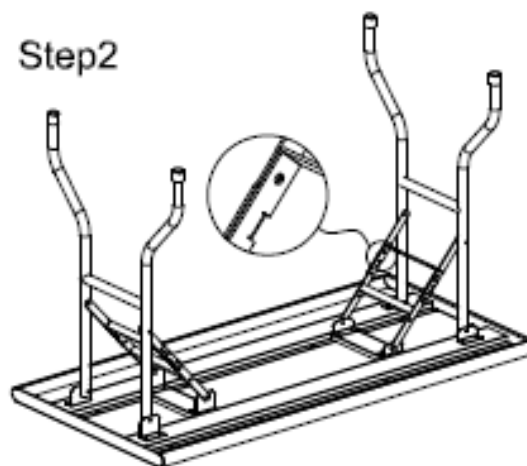
The warnings, cautions, and instructions in this manual cannot cover all possible conditions or situations that could occur. Exercise common sense and caution when installing/using this product.

Set Up Instructions

Step1



Step2



CARE AND USE:

To clean, wash with mild detergent and water.

Store in dry, noncorrosive environment.

Replacement Parts

- For replacement parts and technical questions, please call Customer Service at **1-888-326-8502** or email at parts@uriahproducts.com.
- Not all product components are available for replacement. The illustrations provided are a convenient reference to the location and position of parts in the assembly sequence.
- When ordering parts, the following information will be required: item description, item model number, item serial number/item lot date code, and the replacement part reference number.
- The distributor reserves the rights to make design changes and improvements to product lines and manuals without notice.

Limited Warranty

The Sportsman's Guide and Northern Tool and Equipment Company, Inc. ("We" or "Us") warrants to the original purchaser only ("You" or "Your") that the Guide Gear product purchased will be free from material defects in both materials and workmanship, normal wear and tear excepted, for a period of one year from date of purchase. The foregoing warranty is valid only if the installation and use of the product is strictly in accordance with product instructions. There are no other warranties, express or implied, including the warranty of merchantability or fitness for a particular purpose. If the product does not comply with this limited warranty, Your sole and exclusive remedy is that We will, at our sole option and within a commercially reasonable time, either replace the product or product component without charge to You or refund the purchase price (less shipping). This limited warranty is not transferable.

Limitations on the Warranty

This limited warranty does not cover: (a) normal wear and tear; (b) damage through abuse, neglect, misuse, or as a result of any accident or in any other manner; (c) damage from misapplication, overloading, or improper installation; (d) improper maintenance and repair; and (e) product alteration in any manner by anyone other than Us, with the sole exception of alterations made pursuant to product instructions and in a workmanlike manner.

Obligations of Purchaser

You must retain Your product purchase receipt to verify date of purchase and that You are the original purchaser. To make a warranty claim, contact Us at 1-888-326-8502, identify the product by make and model number, and follow the claim instructions that will be provided. The product and the purchase receipt must be provided to Us in order to process Your warranty claim. Any returned product that is replaced or refunded by Us becomes our property. You will be responsible for return shipping costs or costs related to Your return visit to a retail store.

Remedy Limits

Product replacement or a refund of the purchase price is Your sole remedy under this limited warranty or any other warranty related to the product. We shall not be liable for: service or labor charges or damage to Your property incurred in removing or replacing the product; any damages, including, without limitation, damages to tangible personal property or personal injury, related to Your improper use, installation, or maintenance of the product or product component; or any indirect, incidental or consequential damages of any kind for any reason.

Assumption of Risk

You acknowledge and agree that any use of the product for any purpose other than the specified use(s) stated in the product instructions is at Your own risk.

Governing Law

This limited warranty gives You specific legal rights, and You also may have other rights which vary from state to state. Some states do not allow limitations or exclusions on implied warranties or incidental or consequential damages, so the above limitations may not apply to You. This limited warranty is governed by the laws of the State of Minnesota, without regard to rules pertaining to conflicts of law. The state courts located in Dakota County, Minnesota shall have exclusive jurisdiction for any disputes relating to this warranty.



Distributed by:

The Sportsman's Guide

And

Northern Tool & Equipment Company, Inc.

Burnsville, Minnesota 55306

www.sportsmansguide.com www.northerntool.com