



CASTLECREEK®

Congratulations on your CASTLECREEK® purchase.

We're proud to help you furnish and enhance the place you call home. Whether indoors or outside, CASTLECREEK® is the perfect choice for comfortable living at an exceptional value.

Item #720749 CASTLECREEK® Rectangle Fire Pit



For assistance with your product, please contact the Sportsman's Guide customer service at 1-800-888-3006 Mon.-Fri. 7:00am to 9:00pm, Sat.-Sun. 8:00am to 8:00pm CST or go to sportsmansguide.com/customer-service/contact-us



WARNINGS:

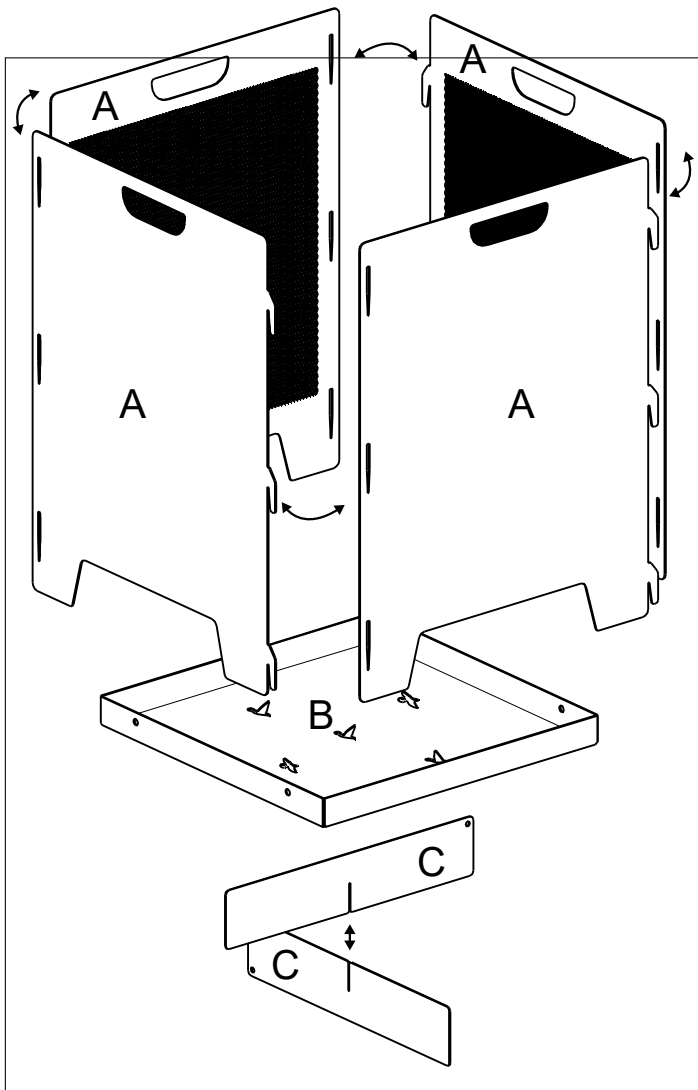
- Read and understand all warnings, cautions, assembly, installation and use instructions prior to assembling, installing or using this product. Failure to follow all warnings, cautions and instructions may result in serious injury or damage to personal property.
- Confirm all parts are present before assembly. If any part is missing, cracked or damaged, please contact Sportsman’s Guide customer service before assembly.

⚠ **CAUTION:** Edges may be sharp - Assemble with caution and wear gloves during assembly.

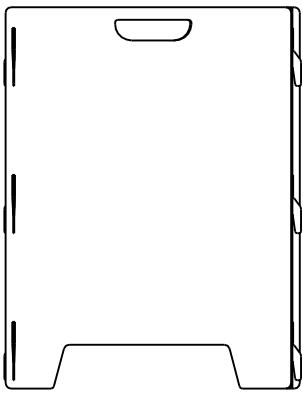
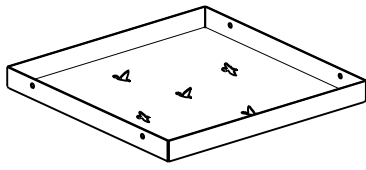
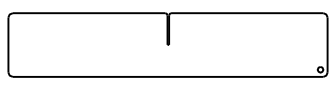
⚠ **WARNING:** For outdoor use only. **NEVER** use in any building, garage, other enclosures or under any structure. This fire pit is **NOT** for commercial use.

- **NEVER** use under an overhead or near any unprotected combustible constructions. **AVOID** using near or under overhanging trees and shrubs.
- **ALWAYS** use in accordance with all applicable local, state and national codes. Contact your local fire department for details on outdoor burning.
- **ALWAYS** use this product on a hard, level, non-combustible surface such as concrete, rock or stone. An asphalt or blacktop surface may not be acceptable for this purpose. **NEVER** use on wooden decks/surfaces.
- **NEVER** store or use gasoline or other flammable vapors or liquids in the vicinity of this product, including automobiles, trucks, vans or recreational vehicles.
- **ALWAYS** empty the fire pit before each use.
- **NEVER** use gasoline, kerosene, diesel fuel, lighter fluid or any other accelerant to start or relight fire.
- This fire pit is for use with dry, seasoned hardwood. It will burn hotter, more completely and create less smoke. **NEVER** burn lump charcoal, manufactured logs, driftwood, trash, leaves, papers, cardboard, plywood, painted or stained or pressure treated wood. Avoid using softwoods such as pine or cedar that can throw sparks.

Assembly Instructions



Parts List

	A	4PCS
	B	1PCS
	C	2PCS