



**NEW**

# HUNT PRODUCTS FALL 2024

At MYSTERY RANCH, we are committed to our craft of quality and innovation. We don't just love making backpacks, we're obsessed with it. Our expertise lies in creating packs, luggage, and gear that offer unparalleled load-bearing comfort, extraordinary organization, and comfortable carry so you can bring everything necessary for a daily commute, extended travel, or your next trip in the backcountry.

We put everything we've got into creating exactly what you need. We listened to consumer feedback, tweaked, and tested, and listened again. And it resulted in the ultimate of soft-sided bow case and updated camo choices for the whitetail hunter. Essential pieces of gear to support your hunt all year round.

For the adventurous souls who know no boundaries, our travel and everyday carry line offers an array of packs, luggage, and accessories to simplify your journeys. Whether it's a daily commute, weekend away or packing for a bucket list hunt — we've got you covered.

We're introducing three new sizes of ultralight hunting packs this spring, with a brand-new ultralight frame system that's hyper-durable while maintaining the load-bearing performance MYSTERY RANCH is known for. So, you can trade pounds for ounces and still find comfort in the pack-out. And to make your experience even better, we've designed new gear and accessories that will prepare you for the hunt like never before.

Serious hunts call for practical, inherently purposeful packs. No frills, just gear that works and built by the expert pack makers at MYSTERY RANCH.

## What's inside:

ANCHOR POINT SERIES  
UPDATED TREEHOUSE  
MISSION TRAVEL  
RIP RUCKS  
METCALF SERIES  
GRAVELLY 18  
BACKSTRAP HYDRO  
STICK IT PLUS  
ULTRA LIGHT DAYPACK LID



NEW FALL 24

# ANCHOR POINT SERIES

A reliable pack is the anchor of any outdoor adventure, especially when you're carrying fragile cargo. New to our hunting line, the ANCHOR POINT SERIES was designed to safely transport bowhunting gear that can't afford to get beat up on the drive. This soft-sided, fully padded bow case can accommodate a variety of compound bows and is loaded with extra compartments for quivers, stabilizers, arrows, and tools. Hunters can rest assured on bumpy roads, knowing their equipment is securely stowed and cushioned in the ANCHOR POINT.

## KEY FEATURES:

### MATERIAL

- 840D ballistic carbonate coated nylon is weather-resistant (bow case)
- 330D LP CORDURA®, PFAS-free DWR (cube)
- YKK #8 and #10 zippers

### FEATURES

- Easy carry
- Ample organization



NEW FALL 24

# ANCHOR POINT BOW CASE

We've answered the call for a soft-sided bow case that doesn't cut corners. Featuring weather-proof ballistic nylon and all-over padding, the ANCHOR POINT BOW CASE is designed to keep your compound bow and gear protected on the drive to the hunt. There are eight exterior web loops that can be used to securely strap down the case in your vehicle or to easily hang from a wall. Along with stretch-woven Cam Pockets to protect the all-important cams and string, the interior of the case includes a web loop system with two customizable hook-and-loop straps to secure the bow in place. Keep your arrows and quivers safe in the padded outer pocket, and stow tools, accessories, and even extra layers in the interior storage pockets. Bring more and worry less — the hunt for the perfect bow case is over.

## KEY FEATURES:

- + 840D ballistic carbonate coated nylon is weather-resistant
- + Fully padded on top, bottom, and sides to keep delicate gear protected
- + YKK #8 and #10 zippers
- + Exterior padded zippered pocket offers extra arrow storage and can fit most arrow cases; includes two zippered mesh pockets for other accessories
- + Main compartment measures 42" in length by 18" in width to accommodate a variety of different compound bow manufacturers and sizes
- + Comes with stretch-woven cam-securing corner protectors
- + Main compartment features three daisy chains with two removable hook-and-loop straps so you can customize how to best secure your bow
- + Case bottom features loop fabric for attaching hook-mounted accessories and pouches
- + Inner lid has two zippered mesh pockets and a large padded zippered pocket for quiver, arrow case, or extra layers
- + Removable shoulder strap with easy-to-use thumb lock for quick adjustment
- + Back of case features eight web loops that can be used for lashing down your bow case when needed; these also function as extra attach points for shoulder strap

## SPECS:

<b>Weight:</b>	2.53 kg/ 5.56 lbs
<b>Vol:</b>	73.6 L (4490 cu-in)
<b>Sizes:</b>	One Size



PONDEROSA

NEW FALL 24

# ANCHOR POINT CUBE

With the ANCHOR POINT CUBE, there's always room for more. Equipped with Velcro on the bottom for attaching inside the ANCHOR POINT BOW CASE, this compact cube is ideal for holding extras such as a headlamp, release aids, tools, and more.

## KEY FEATURES:

- + 330D LP CORDURA®, PFAS-free DWR
- + YKK #8 Zippers
- + Easy-to-grab web handles on sides
- + Hook Velcro on bottom for attaching anywhere inside the ANCHOR POINT BOW CASE

## SPECS:

**Weight:** 0.06 kg / 0.13 lbs  
**Vol:** 2 L (120 cu-in)  
**Sizes:** One Size



Buckskin



Ponderosa

NEW PATTERNS

# TREEHOUSE SERIES

Elevate your hunt with the power of two legendary brands: Realtree® & Mossy Oak®. Realtree® & Mossy Oak® loyalists king the ultimate tree stand pack now have a new contender to consider — MYSTERY RANCH.

## TREEHOUSE KEY FEATURES:

### + CUSTOM MATERIALS

Wildly durable, water-resistant and wilderness quiet — the unique custom-designed fleece polyester backed with Nylon 210D laminate fabric keeps the focus off you.

### + TREE COMPATIBLE

Removable tree straps and top haul loop designed for easy attachment to tree and easy access to the inside of the bag.

### + SADDLE OR STAND

All TREEHOUSE packs work for your hunt — treestand or saddle compatible.



# TREEHOUSE 9

This hip pack may be lean, but it delivers 110% on those fast and light hunts when you don't need to bring a whole bag with you. It offers an arsenal of inside and outside organizational pockets for toting water bottles, shotgun shells, calls, snacks, and more. Every detail matters with this pack, particularly its quiet, custom-designed exterior and Cotna fabric interior that help keep sounds at a minimum. And when you're in the treestand and ready to take the pack off, it's outfitted with a strap for attaching to the tree.

## KEY FEATURES:

- + Two side pockets with elastic pull cords for securing water bottles, handheld archery releases, calls, and ammunition
- + Front zippered pocket with organizational detail pockets
- + Main opening is a magnetic rip zip top flap for quick and easy access
- + Top Rip Zip lid has a mesh pocket on the inside for go-to items
- + Variety of internal organization pockets inside the bag - one zippered mesh pocket and three small detail pockets
- + Lashing straps on the bottom of the bag for extra layers or other items
- + Comes kitted with removable Trail Wrap pocketed waist belt
- + Shoulder strap attach points on the top of the body panel allow for dual carry mode

## SPECS:

**Weight:** 1.61 kg/ 3.54 lbs  
**Vol:** 8.9 L (545 cu-in)  
**Size:** S, M, L, XL



NEW  
Mossy Oak®



NEW  
Realtree®



Wood

# TREEHOUSE 16

Light and fast hunts are the name of the game for the smallest backpack in our TREEHOUSE series. It covers your most basic needs: hydration capability, compression straps to hold your weapon, and room for lunch and tools. It's quiet, custom-designed fleece exterior and Cotna fabric interior keep sounds at a minimum when you're closing in on your prey and need every stealth advantage you can get. And when you are tucked into your treestand, the included strap securely attaches it to the tree for easy access - no additional hooks or screws needed.

## KEY FEATURES:

- + Two stretch fabric water bottle pockets
- + Dual compression straps on the face of the bag for a bow, climbing sticks or rattling antlers
- + Stretch pocket on the front of the bag for layers or extra gear
- + Clam shell opening into bag offers easy access
- + Fixed harnessing
- + External zippered mesh detail pocket
- + Includes quick-attach strap for attaching to a tree when in your stand or ground blind
- + Internal zippered mesh pocket on the body panel for extra gear
- + Inner dump pocket is hydration compatible

## SPECS:

**Weight:** 1.7 kg/ 2.58 lbs  
**Vol:** 16 L (975 cu-in)  
**Sizes:** One Size



NEW  
Realtree®



NEW  
Mossy Oak®



Wood



# TREEHOUSE 20

The TREEHOUSE 20 pack is a hanging gear quiver designed specifically for treestand hunters. Fuzzy polyester laminate backed with Nylon 210 fabric dampens sound, resists water, and provides easy access to the interior without giving away your location. The top-loading access is complemented by multiple interior sleeves and pockets for organization and customized accessory attachment. An adjustable tree strap allows the pack to be quickly attached to the tree in the optimal position. Front compression straps provide secure attachment for a bow, lightweight treestand or climbing sticks, and the side pockets and compression securely fit quivers, camera arms or other treestand essentials.

## KEY FEATURES:

- + Unique custom-designed fuzzy polyester backed with Nylon 210D laminate fabric
- + Two stretch fabric side pockets and one large stretch back pocket
- + Interior pockets with silent closures
- + Hydration reservoir compatible
- + Silent external shock cord helps keep your trophy from moving around on the hike out
- + Ample organization with multiple pockets both inside and out

## SPECS:

**Weight:** 1.28 kg / 2.82 lbs  
**Vol:** 20.9 L (1275 cu-in)  
**Size:** One Size



NEW  
Mossy Oak®



NEW  
Realtree®



Wood

# TREEHOUSE 38

The TREEHOUSE 38 pack is a hanging gear quiver designed specifically for treestand hunters. Fuzzy polyester laminate backed with Nylon 210 fabric dampens sound, resists water and provides easy access to the interior without giving away your location. The top-loading and dual-zippered access is complemented by multiple interior sleeves and pockets for organization and customized accessory attachment. An adjustable tree strap allows the pack to be quickly attached to the tree in the optimal position. Front compression straps provide secure attachment for a bow, lightweight treestand or climbing sticks, and the side pockets and compression securely fit quivers, camera arms or other treestand essentials.

## KEY FEATURES:

- + Full side compression straps and pass-through guide loops secure your bow or treestand to the pack, so you don't have to carry with your hands
- + Ample organization with multiple stretch pockets both inside and out, and additional organizational workspace in the lid for easy access to essential tools when pack is opened
- + Silent external shock cord secures rattling antlers for the hike in
- + Squared off bottom allows pack to stand up on its own

## SPECS:

**Weight:** 2.03 kg/ 4.47 lbs  
**Vol:** 38.8 L (2370 cu-in)  
**Sizes:** S/M, L/XL



NEW  
**Realtree®**

NEW  
**Mossy Oak®**

**Wood**

NEW FALL 24

# MISSION SERIES

Whether you're spending the weekend at a friend's house, gearing up for an outdoor overnight, or taking an extended trip abroad, you need a luggage system that can last for the long haul. Enter the MISSION SERIES. Tried, true, and lauded for its excellent construction and intentional design, this series has been updated to be a complete travel system with more accessories and size options to join you on any adventure. Need a duffel bag? A duffel with wheels? A tech-protecting travel bag? We've got you covered.

+ MISSION WHEELIE

+ MISSION DUFFEL

+ MISSION ROVER

+ MISSION CONTROL

PLUS

UPDATES TO OUR WILDLY  
POPULAR ACCESSORIES



NEW FALL 24

# MISSION WHEELIE 45 | 65 | 110

When you need to get away for a weekend, or a few weeks, the MISSION WHEELIE is ready to roll with you. These wheeled duffel bags feature weather-resistant recycled nylon, conveniently placed zippered pockets for quick access to essentials, and roomy compartments on either end to hold boots or dirty laundry. It's easy to pack and easy to pack away; a space-saving collapsible frame lets you slide the bag flat under the bed or in the closet, out of sight until your next trip.

## KEY FEATURES:

- + Recycled 840D ballistic carbonate coated nylon is weather-resistant and durable
- + Polycarbonate shell with retractable handle and aluminum corner and wheel protection
- + Collapsible wire kickstand feature allows the bag to fold down smaller for easy storage
- + Boot bag/laundry compartment at each end of bag
- + Comfortable web handles on all sides and top of the bag for easy handling
- + Top of bag has a removable bag attach strap for your carry-on
- + TPU ID card holder
- + Large U-shaped lid has a small zippered detail pocket on the outside
- + Underside of lid features two mesh zippered pockets for see-through organization
- + One interior zippered wall pocket to hold loose items
- + Interior reflective ribbon loops for QUICK ATTACH VOID BAG
- + Two sets of internal compression straps to hold contents secure

## SPECS:

### MISSION WHEELIE 45

**Weight:** 2.89 kg/ 6.35 lbs  
**Vol:** 44 L (2685 cu-in)  
**Dims:** 13.5" x 12" x 22.5"

### MISSION WHEELIE 65

**Weight:** 3.41 kg/ 7.5 lbs  
**Vol:** 68.6 L (4185 cu-in)  
**Dims:** 16.5" x 14" x 26"

### MISSION WHEELIE 110

**Weight:** 3.92 kg/ 8.62 lbs  
**Vol:** 113 L (6895 cu-in)  
**Dims:** 18" x 16.5" x 29.75"



Black

MISSION DUFFEL 90



Black



Black

Ponderosa

MISSION DUFFEL 40



Black

Wildfire Black

MISSION DUFFEL 55

NEW FALL 24

# MISSION DUFFEL 40 | 55 | 90

Whether you're going from the office to the gym or state to state, or even overseas, you need a tough duffel bag to haul the essentials. The MISSION DUFFEL Collection features strong, long-lasting zippers, a built-in stuff sack with ample space for toiletries and gear, side compartments to keep shoes separate from clean clothing, and multiple strap attachments for back and shoulder carry. And when it's not in use, this stuffable duffel packs into itself for easy storage under your bed or in the closet.

## KEY FEATURES:

- + Recycled 840D ballistic carbonate coated nylon is weather-resistant and durable
- + Fully lined interior with 210D nylon for added protection
- + Built-in stuff sack for compact storage
- + Boot bag/laundry compartment at each end of bag
- + Adjustable and removable shoulder pads for backpack carry option
- + Shoulder strap with multiple attachment points for custom carry options
- + Comfortable web handles on all four sides and reinforced grab handles for rugged transport
- + Exterior lid pocket for easy access to small necessities
- + Large, zippered horseshoe opening to main compartment offers easy access to gear
- + Interior includes 3 zippered mesh pockets with extra side stash pocket to keep you organized

## SPECS:

### MISSION DUFFEL 40

**Weight:** 1.28 kg/ 2.82 lbs  
**Vol:** 41.7 L (2545 cu-in)  
**Dims:** 13.5" x 12.25" x 20"

### MISSION DUFFEL 55

**Weight:** 1.45 kg/ 3.18 lbs  
**Vol:** 53.7 L (3275 cu-in)  
**Dims:** 13.25" x 12.25" x 23"

### MISSION DUFFEL 90

**Weight:** 1.75 kg/ 3.86 lbs  
**Vol:** 91.5 L (5585 cu-in)  
**Dims:** 15.75" x 14" x 26.5"

NEW FABRIC + COLOR UPDATES

# MISSION ROVER 30 | 45 | 60 PLUS

Our best-selling MISSION ROVERS are the workhorse gear haulers to accommodate your varying loads. These packs feature clamshell zippered access to contents – each half of the open-book design has zippered dividers to organize your clothing and accessories and are designed to strategically separate your stuff. There’s a footwear compartment as well as a dirty laundry pocket. Three sizes and three carry methods: suitcase, shoulder, or backpack-style allow for versatile, nimble travel. With updated colors and recycled 840D ballistic carbonate coated nylon, these versatile packs are weather-resistant and super durable.

## KEY FEATURES AND BENEFITS:

- + Recycled 840D ballistic carbonate coated nylon is weather-resistant and durable
- + Padded waist belt can be folded away when not in use
- + Durable nylon monomesh inside provides visibility into compartments
- + Clamshell-style zippered lid opening for easy packing and organization
- + Large office compartment features two zippered monomesh pockets, two elastic-topped stash pockets, and a key clip
- + Bottom zippered compartment holds shoes or dirty laundry
- + Padded sleeve fits tablets or laptops up to 15"
- + 3 carry options: suitcase-style side handle, removable shoulder strap, or stowable backpack straps
- + Three interior divided pockets
- + Lockable zippers for added security
- + Rolling luggage handle pass-through for hands-free transport
- + Available in three sizes – 30L, 45L, and 60 PLUS

## SPECS:

### 30L

**Weight:** 1.52 kg/ 3.35 lbs  
**Vol:** 29.2 L (1780 cu-in)  
**Dims:** 13" x 10" x 19"

### 45L

**Weight:** 1.79 kg/ 3.93 lbs  
**Vol:** 42 L (2565 cu-in)  
**Dims:** 13" x 12" x 21"

### 60 PLUS

**Weight:** 2.19 kg/ 4.82 lbs  
**Vol:** 59.6 L (3635 cu-in)  
**Dims:** 14" x 14.5" x 23"



Black



Ponderosa



MYSTERY RANCH

GALLATIN FIELD (K02N)  
Tower.....118.2  
Ground.....121.8  
ATIS.....135.425  
NAV AIDS  
ILS Rwy 12L.....112.4  
MANN NDOR.....366

Big Sky Appr.....116.075  
Great Falls FSS.....122.5  
Salt Lake Cr.....132.4  
SZN VOR.....112.4  
MANN NDOR.....366

NEW FALL 24

# MISSION CONTROL SMALL | MEDIUM

Fully padded to protect delicate devices and accessories, the MISSION CONTROL is a compact bag perfect for organizing your electronics when traveling. Weather-resistant recycled nylon ensures everything stays safe and dry, and webbing grab handles on the top and sides make it easy to pick up and go. Inside the bag, a floating divider pocket and two stretch-woven pockets keep things separated so wires don't get crossed.

## KEY FEATURES:

- + Recycled 210D Hitra nylon w/ PFAS-free DWR
- + Floating divider pocket with elastic cable organizer
- + 2 internal stretch-woven pockets
- + Clamshell opening provides easy access to interior
- + 2 front exterior handles for quick pick-up
- + Top handle with loops for easy accessibility

## SPECS:

### MISSION CONTROL S

**Weight:** 0.17 kg/ 0.37 lbs  
**Vol:** 2 L (120 cu-in)  
**Dims:** 8.75" x 4.75" x 5.75"

### MISSION CONTROL M

**Weight:** 0.23 kg/ 0.51 lbs  
**Vol:** 3 L (185 cu-in)  
**Dims:** 9.25" x 5" x 7"



Black



Hunter



White



NEW FALL 24

# MISSION CONTROL LARGE

Carry your electronics with confidence. The MISSION CONTROL L is designed with extra space, pockets, and padding so you can pack your tablet, notebooks, and charging cords all in one place. A curved zippered opening offers easy access to everything inside, and internal stretch-woven and padded pockets help tech and accessories stay organized. With a streamlined shape and flat bottom, the MISSION CONTROL L is built to stand on its own, pack neatly into a larger bag, or carry over the shoulder with an attachable strap. Or, use the luggage handle passthrough on the back of the pouch to let your rolling suitcase carry it for you.

## KEY FEATURES:

- + Recycled 210D Hitra nylon w/ PFAS-free DWR
- + Floating divider pocket with elastic cable organizer
- + Back single slider pocket for smaller accessories
- + Internal pocket made of soft material can fit 10" tablets
- + 2 internal stretch-woven pockets
- + Free-floating elastic holds pens and cables
- + Top handle with loops to attach included shoulder strap
- + Back panel web connects with roller luggage handles for hands-free transport
- + Clamshell opening provides easy access to interior

## SPECS:

<b>Weight:</b>	0.4 kg / 0.89 lbs
<b>Vol:</b>	9 L (550 cu-in)
<b>Dims:</b>	12.75" x 5.75" x 8.75"



White



Hunter



Black

NEW FABRIC + COLOR UPDATES

# ACCESSORIES

The Mission Series Travel Accessories just got a facelift for Fall '24. New colors, recycled fabric, and we even slapped some new names on them. These bad boys are the unsung heroes of travel, helping you keep your threads, toiletries, and all those little odds and ends from staging a coup inside your luggage. So, pack them up and travel like a pro.

## VOID BAG SERIES

**SPECS:**

**SMALL**

**Weight:** 0.04 kg/ 0.08 lbs  
**Vol:** 1.5 L (90 cu-in)  
**Dims:** 3" x 8" x 5.5"

**MEDIUM**

**Weight:** 0.05 kg/ 0.11 lbs  
**Vol:** 3 L (185 cu-in)  
**Dims:** 4" x 11" x 7"

**LARGE**

**Weight:** 0.08 kg/0.17 lbs  
**Vol:** 7 L (425 cu-in)  
**Dims:** 5" x 14" x 9"

**SET**  
 INCLUDES ONE OF EACH SIZE



Black



Corriander



Hunter



White



Foliage

## MISSION PACKING CUBES

**SPECS:**

**SMALL**

**Weight:** 0.06 kg/ 0.14 lbs  
**Vol:** 3 L (185 cu-in)  
**Dims:** 5.5" x 7" x 6"

**MEDIUM**

**Weight:** 0.09 kg/ 0.2 lbs  
**Vol:** 7 L (425 cu-in)  
**Dims:** 5.5" x 12" x 7"

**LARGE**

**Weight:** 0.13 kg/ 0.28 lbs  
**Vol:** 14 L (855 cu-in)  
**Dims:** 5.5" x 14" x 12"

**SET - INCLUDES ONE OF EACH SIZE**



White



Black



Foliage

## MISSION DOPP SERIES

**SPECS:**

**SMALL**

**Weight:** 0.13 kg/ 0.29 lbs  
**Vol:** 2 L (120 cu-in)  
**Dims:** 5" x 4.5" x 8.5"

**LARGE**

**Weight:** 0.3 kg/ 0.67 lbs  
**Vol:** 6.3 L (385 cu-in)  
**Dims:** 11.5" x 8" x 6.5"



Black



Ponderosa

# ULTRALIGHT

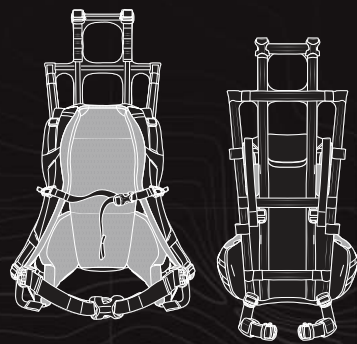
Our new ultralight system is for those who count the ounces and want full control of their pack system. We've looked over every detail of our pack systems and identified where we could shave weight without sacrificing quality and your ability to pack out large loads. This new line focuses on giving you an ultralight system that you can customize to meet your specific packing needs so you can go farther and lighter than ever before.

## KEY FEATURES OF ULTRALIGHT:

- + EXTRA STRENGTH LOCKING G-HOOKS
- + MULTIPLE ATTACHMENT POINTS FOR CUSTOMIZED ORGANIZATION
- + LIGHT WEIGHT AND ROBUST TEXTILES
- + NARROWER WEBBING REDUCES WEIGHT
- + STRIPPABLE COMPONENTS SHAVES WEIGHT
- + TAPERED FRAME WITH A STREAMLINED WAIST BELT

## NEW FRAME

### ULTRA LIGHT MT™ FRAME



## THREE PACK SIZES

### METCALF SERIES



100 L

75 L

50 L

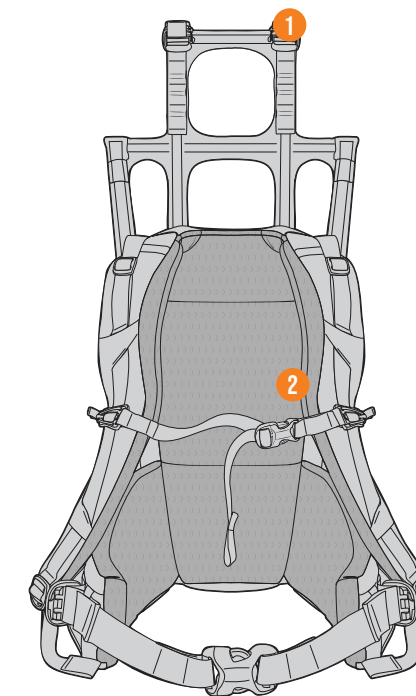
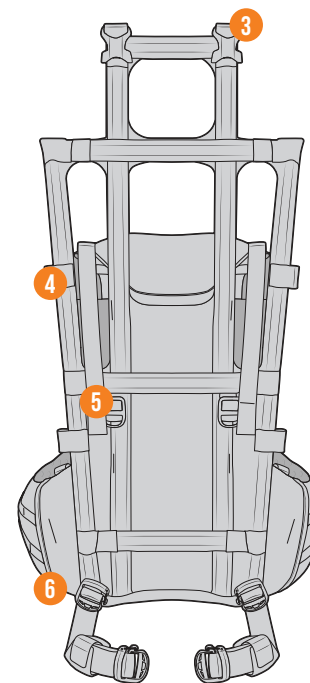
## FRAME

# ULTRA LIGHT MT™

Go the distance with our lightest frame yet.

The new ULTRA LIGHT MT™ Frame is a minimalistic platform focused on functionality and in-the-field comfort. Our lightest hunting frame to date, we achieved this by tapering the bottom width, streamlining the waist belt and using HD locking G-hooks, eliminating the need for a two component connection. Coupled with a higher OVERLOAD® shelf for more balanced pack outs and a taller overall frame height with micro-adjustable load lifter points, the new ULTRA LIGHT MT™ Frame is the new standard in minimalist backcountry hunting packs offering everything you need, and nothing you don't.

OVERLOAD® feature provides functional expandability via a load sling between the pack and the frame, allowing you to put the bulk of the weight closest to your back for optimal comfort.



- 1 Adjustable load lifter
- 2 Easily adjustable torso length
- 3 Taller overall frame height
- 4 Lighter weight carbon framing
- 5 Higher load shelf positioning
- 6 Single piece belt system

 **ULTRA LIGHT MT™**  
FRAME

# GRAVELLY 18

The GRAVELLY 18 is three packs in one: It'll securely "piggyback" to your main bag adding 18 more liters of capacity for critical gear. Or attach the GRAVELLY 18 to the frame and use the compression straps and OVERLOAD® shelf as a meat hauler while also carrying the essentials with you. Lastly, with stowable straps, it works as a stand-alone pack for a quick stalk or glassing session.

## KEY FEATURES:

- + A zipper secured front pocket gives you easy access to your most important items
- + Compression straps secure your load for navigating the nastiest terrain
- + Stowable shoulder straps to go from backpack mode to securely attaching it to your main bag adding 18 more liters of capacity for critical gear
- + Two water bottle pockets ensure you stay hydrated
- + Blaze orange frame tabs allow for easy attachment or detachment
- + OVERLOAD® feature provides functional expandability via a load sling between the pack and the frame, allowing you to put the bulk of the weight closest to your back for optimal comfort
- + Works with our ULTRA LIGHT MT™ frame
- + Hydration reservoir compatible

## SPECS:

**Weight:** 0.82 kg/ 1.81 lbs  
**Vol:** 18.9 L (1155 cu-in)  
**Sizes:** One Size



Ponderosa



Buckskin



Subalpine



Foliage

# METCALF SERIES

METCALF packs have been tested countless times by thousands of dedicated western big game hunters. When you're deep in the mountains and failure is not an option, you want a pack that can do everything you ask of it. With three new pack sizes ranging from 50 to over 100 liters, interior and exterior attachment points for customization, and built on the ULTRA LIGHT MT™ frame — you can choose with pack is right for your pursuit.

## METCALF KEY FEATURES:

### ULTRA LIGHT MT™ FRAME

The new ULTRA LIGHT MT™ Frame is a minimalistic platform focused on functionality and in-the field comfort. Our lightest hunting frame to date, we achieved this by tapering the bottom width, streamlining the waist belt and using HD locking G-hooks, eliminating the need for a two component connection. Coupled with a higher OVERLOAD® shelf for more balanced pack outs and a taller overall frame height with micro-adjustable load lifter points, the new ULTRA LIGHT MT™ Frame is the new standard in minimalist backcountry hunting packs offering everything you need, and nothing you don't.

### OVERLOAD®

OVERLOAD® feature provides functional expandability via a load sling between the pack and the frame, allowing you to put the bulk of the weight closest to your back for optimal comfort.



# METCALF 50

The METCALF 50 is the pack you want loaded and sitting shotgun in your hunting rig all season. With the ULTRA LIGHT MT™ frame, it can handle all the weight you can throw at it. The METCALF 50 is light enough to carry as a daypack, but strong enough to help you pack out your animal. Keep your essentials close and easily accessible in the detachable lid or remove the lid all together and run with a smaller pack. The roll top closure easily cinches down and securely clips to either the side or front of the pack, while the side zip allows quick access to all your big items.

## KEY FEATURES:

- + Roll-top closure and one side zip allow you to access all your big items easily
- + The ultralight frame is built to minimize weight while maximizing load bearing capacity
- + External blaze orange frame tabs allow easy attachment for accessories such as the Stick-It or Gravelly 18
- + Zippered pockets on the detachable lid allow easy and secure access to your essentials
- + Multiple compression straps ensure your gear is secure
- + Bag features multiple attachment points for lid straps so you can secure the lid no matter how much you pack
- + Side attachment points for lid straps when you want to run the bag without the lid and need to secure the roll-top closure
- + Interior blaze orange ribbon loops for attaching Small and Medium Quick Attach Zoid Bags

## SPECS:

### MEN'S

**Weight:** 2.27 kg/ 5 lbs  
**Stripped Weight:** 1941 g/ 1.94 kg/ 4.28 lbs  
**Vol:** 50 L (3050 cu-in)  
**Sizes:** S, M, L, XL

### WOMEN'S

**Weight:** 2.24 kg/ 4.93 lbs  
**Stripped Weight:** 1941 g/ 1.94 kg/ 4.28 lbs  
**Vol:** 50 L (3050 cu-in)  
**Sizes:** XS, S, M, L



Foliage



Buckskin



Subalpine



Ponderosa

# METCALF 75

We all hope to notch our tag on the opener, but sometimes it takes a few days. With the METCALF 75 you will have a full 75 liters of volume so you can carry everything you need to follow the herd over the next ridge, and the next. The roomy, detachable lid can house all your snacks, extra gloves, tags, and extra rounds. Multiple compression straps keep all your gear and meat secure, and it's all built on the ULTRA LIGHT MT™ frame to minimize weight while maximizing the load bearing capacity that MYSTERY RANCH is known for.

## KEY FEATURES:

- + Roll-top closure and one side zip allow you to access all your big items easily
- + The ultralight frame is built to minimize weight while maximizing load bearing capacity
- + External blaze orange frame tabs allow easy attachment for accessories such as the Stick-It or Gravelly 18
- + Zippered pockets on the detachable lid allow easy and secure access to your essentials
- + Multiple compression straps ensure your gear is secure
- + Bag features multiple attachment points for lid straps so you can secure the lid no matter how much you pack
- + Side attachment points for lid straps when you want to run the bag without the lid and need to secure the roll-top closure
- + Interior blaze orange ribbon loops for attaching Small and Medium Quick Attach Zoid Bags

## SPECS:

### MEN'S

**Weight:** 2.43 kg/ 5.34 lbs  
**Stripped Weight:** 2072 g/ 2.07 kg/ 4.57 lbs  
**Vol:** 75 L (4575 cu-in)  
**Sizes:** S, M, L, XL

### WOMEN'S

**Weight:** 2.4 kg/ 5.27 lbs  
**Stripped Weight:** 2072 g/ 2.07 kg/ 4.57 lbs  
**Vol:** 75 L (4575 cu-in)  
**Sizes:** XS, S, M, L



Ponderosa



Foliage



Subalpine



Buckskin

# METCALF 100

For big hunts in wild country, it's critical to have a pack big enough for everything you will need to keep hunting day after day. That's where the METCALF 100 comes in. With a full 100+ liters of capacity, this pack can handle every style of hunt, from frigid, late season elk hunts where every layer is needed, to high mountain sheep hunts requiring big optics, tripods, and over a weeks' worth of food. Multiple compression straps keep all your gear and meat secure, while the pockets on the roomy, detachable lid keep your essentials, like headlamps, spare gloves, food, and tags at the ready. It's all built on the ULTRA LIGHT MT™ frame, so you'll be confident in getting all your gear and your hard-won bull, buck, or ram to the trailhead or bush plane.

## KEY FEATURES:

- + Roll-top closure and one side zip allow you to access all your big items easily
- + The ultralight frame is built to minimize weight while maximizing load bearing capacity
- + External blaze orange frame tabs allow easy attachment for accessories such as the Stick-It or Gravelly 18
- + Zippered pockets on the detachable lid allow easy and secure access to your essentials
- + Multiple compression straps ensure your gear is secure
- + Bag features multiple attachment points for lid straps so you can secure the lid no matter how much you pack
- + Side attachment points for lid straps when you want to run the bag without the lid and need to secure the roll-top closure
- + Interior blaze orange ribbon loops for attaching Small and Medium Quick Attach Zoid Bags

## SPECS:

### MEN'S

**Weight:** 2.75 kg/ 6.06 lbs  
**Stripped Weight:** 2313 g/2.31 kg/ 5.1 lbs  
**Vol:** 100 L (6100 cu-in)  
**Sizes:** S, M, L, XL

### WOMEN'S

**Weight:** 2.7 kg/ 6 lbs  
**Stripped Weight:** 2313 g/2.31 kg/ 5.1 lbs  
**Vol:** 100 L (6100 cu-in)  
**Sizes:** XS, S, M, L



Buckskin



Foliage



Subalpine



Ponderosa



# ACCESSORIES

MYSTERY RANCH accessories are designed to help customize your pack and be true companions on your hunt.

Our accessories provide quick access to essentials, extra volume, additional organization, or hydration solutions for whatever outing — short or long.

- + BACK STRAP HYDRO
- + STICK-IT PLUS
- + ULTRALIGHT DAYPACK LID



# BACK STRAP HYDRO

When you get back to the truck and need to head back in for another haul out, remove your pack from the frame and replace it with the BACK STRAP HYDRO. The lightweight yet capable design attaches to your pack in seconds and will secure all your meat to your frame via the integrated OVERLOAD® shelf. Even better, the BACK STRAP HYDRO has a hydration reservoir pocket to make sure you stay hydrated on even the burliest of packouts.

## KEY FEATURES:

- + Attaches easily to your ULTRA LIGHT MT™ frame
- + Hydration pocket accommodates most reservoirs
- + Blaze orange panel that improves visibility
- + The cord lattice on the front allows for easy and secure carry of extra layers

## SPECS:

<b>Weight:</b>	0.3 kg/ 0.65 lbs
<b>Vol:</b>	5 L (305 cu-in)
<b>Sizes:</b>	One Size



Buckskin



Foliage



Ponderosa

# STICK-IT PLUS

If you're looking for extra space without any hassle, the STICK-IT PLUS is the answer. This simple accessory attaches easily to the front of any hunting pack and is the perfect place to secure quick-access items like rain gear or an additional layer. The STICK-IT PLUS makes accessing important gear easier and with its three color options, it is perfect for archery season or increase your visibility and safety with blaze orange, so every hunter knows where you are.

## KEY FEATURES:

- + Integrates with the full line of hunting packs so you can carry more – and stay visible – no matter what pack you have on
- + The zippered front pocket gives you quick access to your essentials
- + A bellowed pocket adds even more volume and carrying capacity

## SPECS:

**Weight:** 0.21 kg/ 0.46 lbs  
**Vol:** 7 L (425 cu-in)  
**Sizes:** One Size



Hunter

Buckskin

Foliage

# ULTRALIGHT DAYPACK LID

No hunt ever goes according to plan. A five-mile slog can turn into a sprint up a mountain and vice versa. With the ULTRALIGHT DAYPACK LID, you'll have all your most important items – knife, tags, snacks, extra rounds – handy and secure in zippered pockets. And, when things do get real and you need to hustle, you can detach the ULTRALIGHT DAYPACK LID, access the stowed straps, and carry it as a stand-alone pack. Be ready for anything with this essential piece of gear.

### KEY FEATURES:

- + Utilize the stowed straps to turn this lid into its own pack
- + Fully compatible with your ULTRA LIGHT MT™ frame
- + Zippered exterior pockets keep your key safe, dry, and easily accessible

### SPECS:

**Weight:** 444 g/ 0.45 kg/ 0.99 lbs  
**Vol:** 12 L (730 cu-in)  
**Sizes:** One Size



Buckskin

Foliage

Subalpine

Ponderosa



**BUILT**  
— FOR THE —  
**MISSION<sup>®</sup>**

**MYSTERY RANCH BACKPACKS**

1750 EVERGREEN DRIVE  
BOZEMAN, MT 59715  
833-548-1999

[mysteryranch.com](http://mysteryranch.com)

**COPYRIGHT<sup>®</sup> MYSTERY RANCH LTD 2024**