



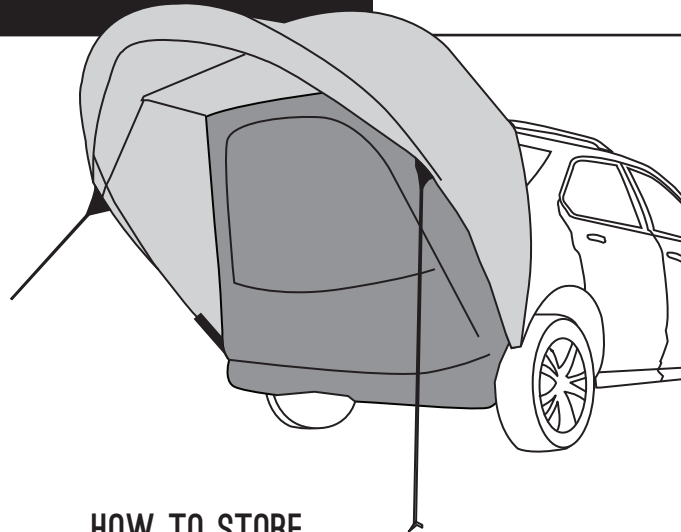
INSTRUCTIONS

SPORTZ

COVE
61 SERIES

BEFORE YOU BEGIN

For set up video, please visit
www.napieroutdoors.com



CAMPSITE SELECTION

- Select a smooth, level campsite clear of rocks, branches, and other hard or sharp objects
- Avoid areas with overhead power lines and tree limbs
- Park the vehicle in the chosen campsite
- Turn the engine off and engage the parking brake

HOW TO STORE

1. Clean and dry the tent
2. Fold all of the components into the tent
3. Roll the tent, using the pole bag as a guide
4. Secure with the tent tie straps and insert into the carrying bag
5. Store in a cool, dry place

WARRANTY INFORMATION

Napier tents have a one (1) year warranty period from the time of purchase against defects in improper workmanship. Normal wear and tear, seam leakage through needle holes, and improper use, abuse, or alteration are not covered under the warranty policy. Napier Outdoors will replace or repair defective parts. Replacement parts may be new or re-built at Napier's sole discretion. E-Warranty claim forms can be completed online at www.napieroutdoors.com/warranty. Proof of purchase (receipt) must be provided. If you do not provide proof of purchase, or if your warranty period has ended, replacement parts can be purchased.

To order replacement parts, contact Napier Outdoors at 800-567-2434 (9:00 am – 5:00 pm EST), visit www.napieroutdoors.com, or email customerservice@napieroutdoors.com

CAUTION

- Do not use candles, matches, or open flames of any kind in or near the tent
- Do not cook inside the tent
- Build campfires downwind and several meters away from the tent. Be sure to fully extinguish fires before leaving a campsite or before retiring for the night
- Exercise extreme caution when using fuel-powered lanterns or heaters inside or around the tent. Use battery-operated lanterns whenever possible
- Do not refuel lamps, heaters, or stoves inside the tent
- Extinguish or turn off all lanterns before going to sleep
- Do not smoke inside the tent
- Do not store flammable liquids inside the tent
- NEVER run the vehicle engine when the tent is attached
- Do not install the tent when the temperature is below 0°C/32°F or when your vehicle is wet, it may cause damage
- Allow adequate ventilation inside the tent at all times
- Do not attempt to drive the vehicle with the tent attached
- Disconnect the battery or turn off the door lamps' so that they do not stay on when the hatch is open. This will reduce the risk of battery drainage.
- To prevent carbon monoxide from entering the vehicle and tent area, do not run the engine, do not cook inside the tent, and do not use a gas heater in the tent. Carbon monoxide is dangerous to your health.
- Engine must be off and exhaust must be fully cooled before tent installation and use.

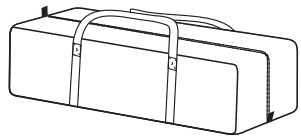
⚠️ WARNING

Keep all flame and heat sources away from the tent fabric. The tent is made with flame-resistant fabric which meets CPAI-84 specifications. This does not make it fireproof. The fabric will burn if left in contact with any flame source. The application of any foreign substance to the tent fabric may render the flame-resistant properties ineffective.

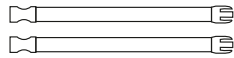
PACKAGE CONTENTS

If you are missing parts, please contact Napier Outdoors at 800-567-2434 | Monday - Friday or email customerservice@napieroutdoors.com

Remove contents from the bag and ensure you have all components listed below.



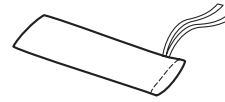
TENT BAG



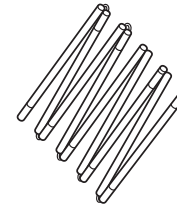
TENT TIE STRAPS (2)



TENT



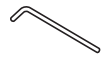
POLE BAG



TENT POLES (1)



STAKE BAG

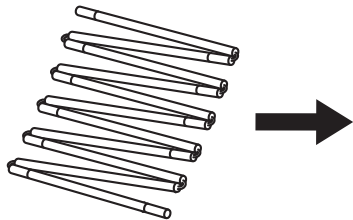


STAKES (2)

TENT SET UP

1 Lay out the tent and locate the "Vehicle Side" and place it face up, towards your vehicle.

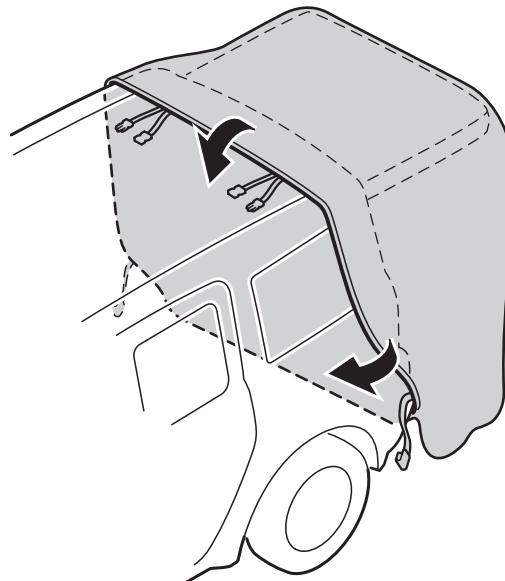
2 Assemble the tent pole by unfolding each section.



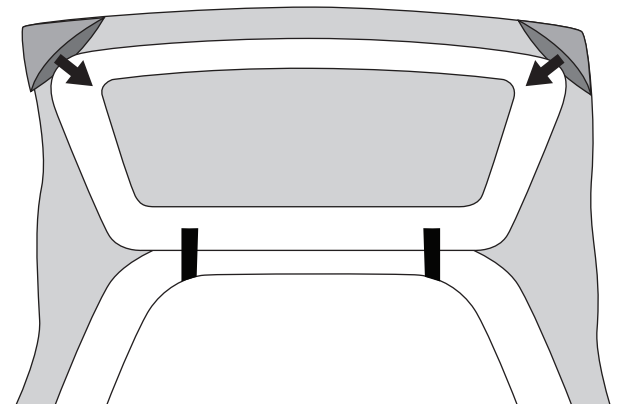
3 Open the back hatch of your vehicle.



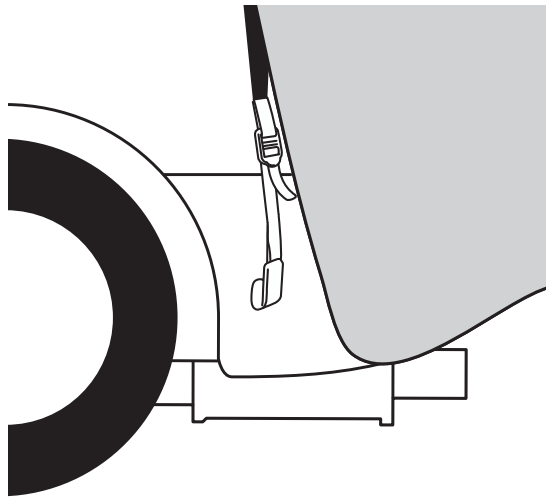
4 Move the tent towards the cargo area of your vehicle. Slip the sleeve over the hatch.



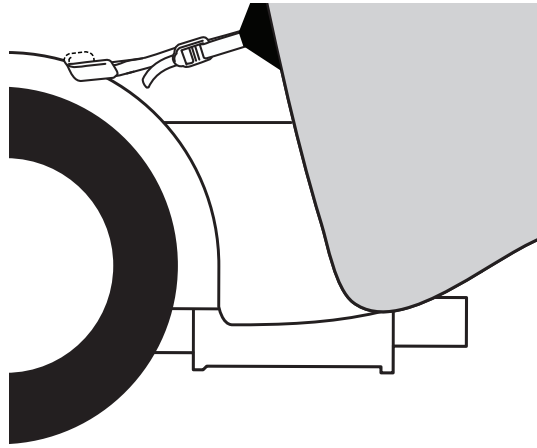
5 Slide the corners of the hatch into the inside pockets located at the top inside of the tent.



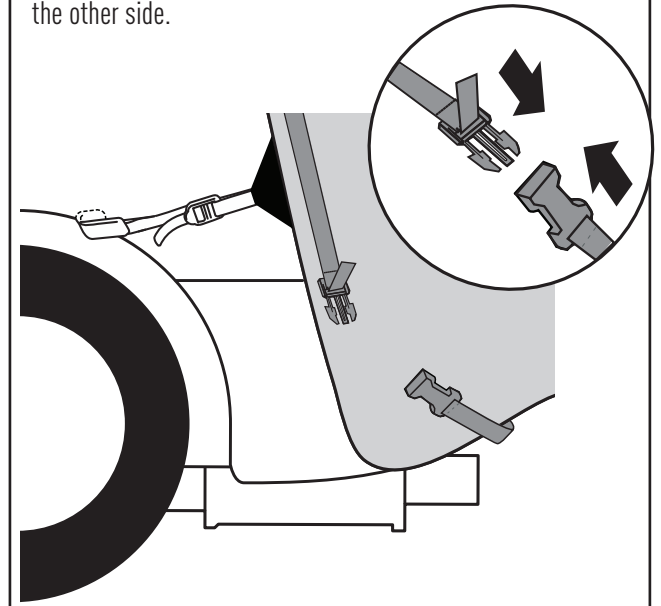
6 Wrap the bottom portion of the sleeve under the bumper.



7 Secure the tent to your vehicle: A. Hook the bottom outside straps to any part of the wheel well and tighten (1 per side). **NOTE: If applicable, ensure the exhaust pipe is outside of the sleeve. Allow the engine and vehicle's exhaust to fully cool before installing or using the tent.**

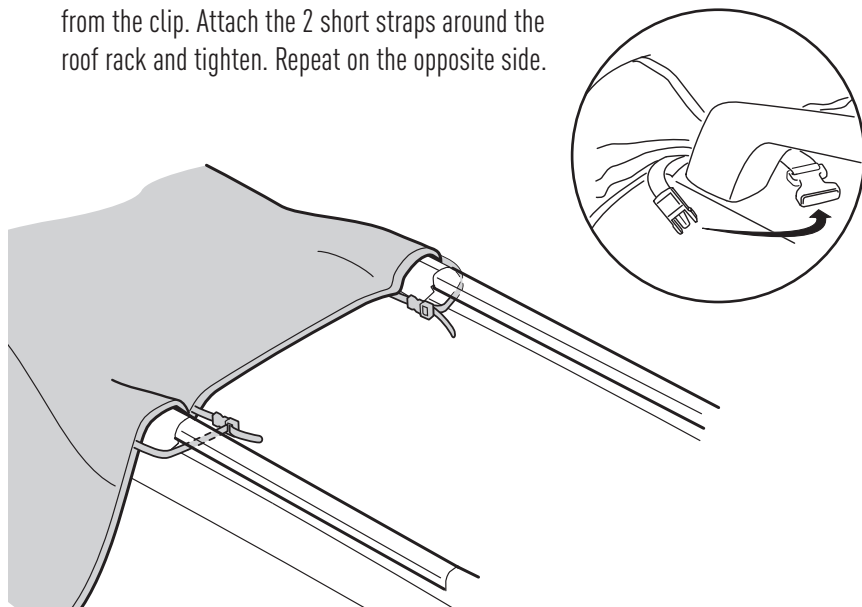


B. Locate the outside bumper side straps and connect together. Tighten strap and repeat on the other side.



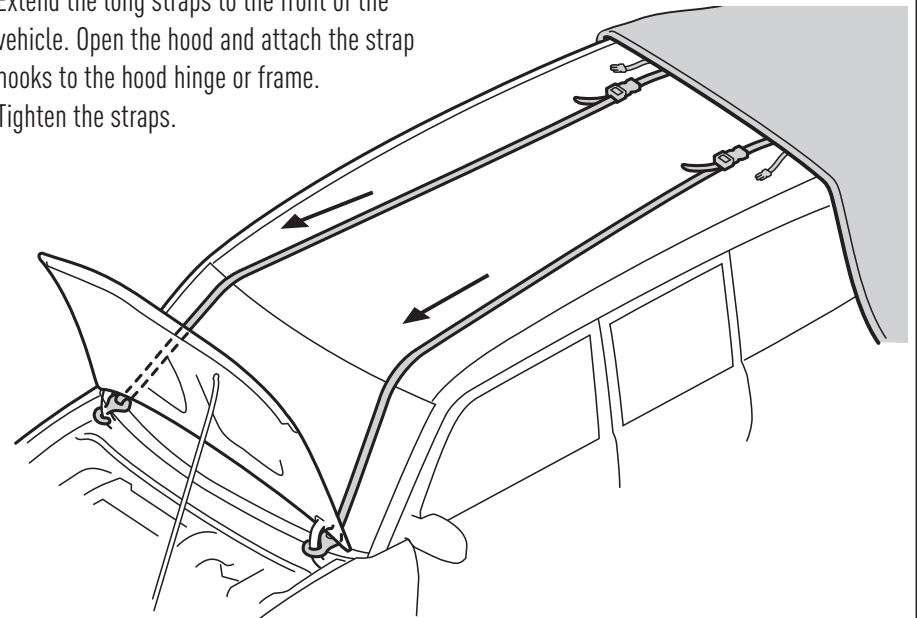
8 A. WITH A ROOF RACK

Remove the long strap (attached to the vehicle sleeve) from the clip. Attach the 2 short straps around the roof rack and tighten. Repeat on the opposite side.

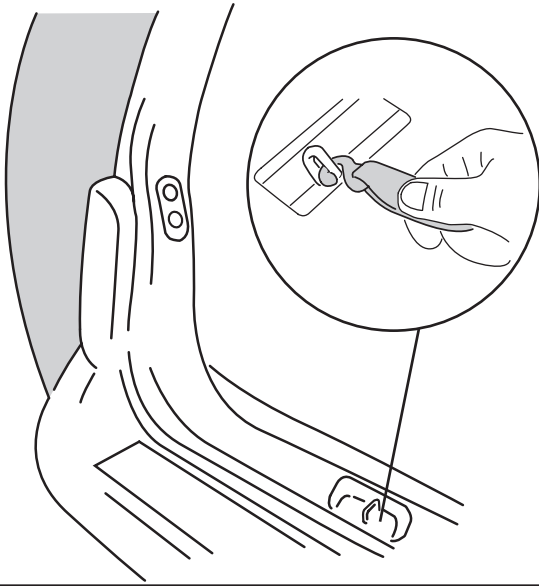


B. WITHOUT A ROOF RACK

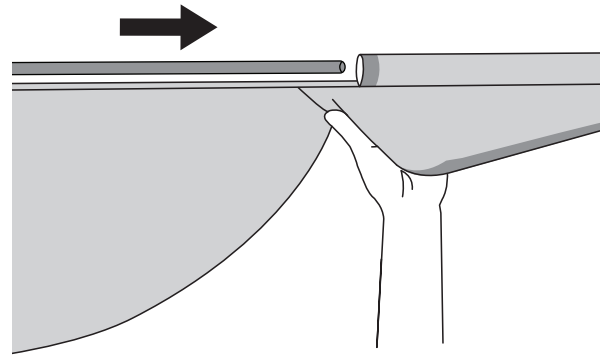
Extend the long straps to the front of the vehicle. Open the hood and attach the strap hooks to the hood hinge or frame. Tighten the straps.



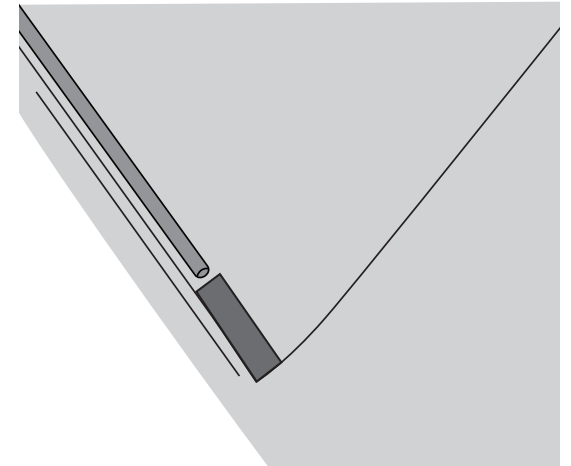
- 9 Locate the center strap by the bumper and attach to the tailgate latch.



- 10 Slide the pole through the sleeve located on the top inside of the tent.
NOTE: Ensure the vehicle hatch is completely raised before inserting the pole into the pockets.

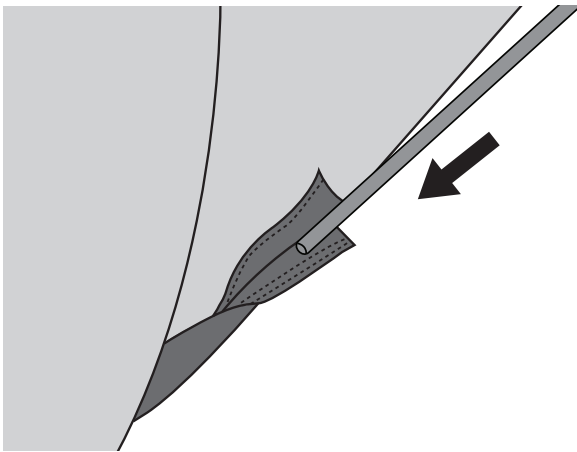


- 11 Insert the pole into the pocket located at the bottom driver side corner of the tent.



- 12 Open the black Velcro pocket located at the bottom passenger side corner of the tent and insert the pole. Secure the Velcro closure.

- 13 Secure the Velcro tabs around the pole.



- 14 Stake the bottom loop of the 2 guy lines to the ground with a peg. Adjust the length of the guy lines by pushing the plastic slider upwards until the line is tight.

